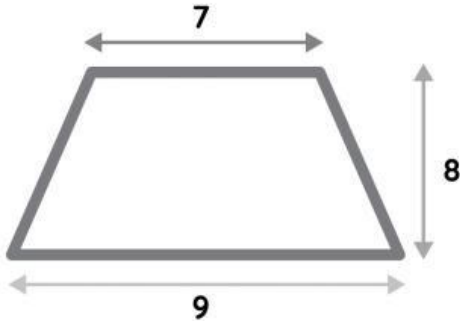


# Area Of A Trapezium

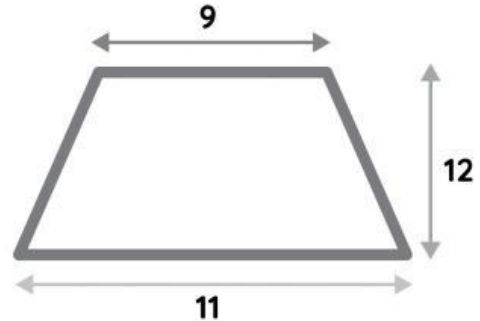
Name: \_\_\_\_\_

➤ Calculate the area of each trapezium:

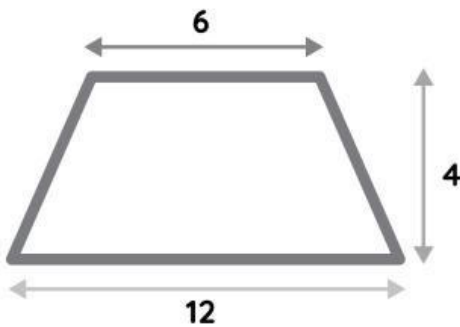
*The shapes are not proportional to the measurements, it's just for illustrative purposes.*



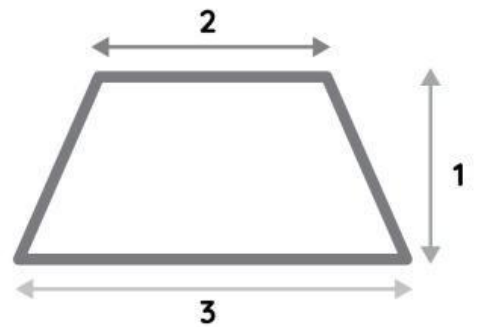
Area =



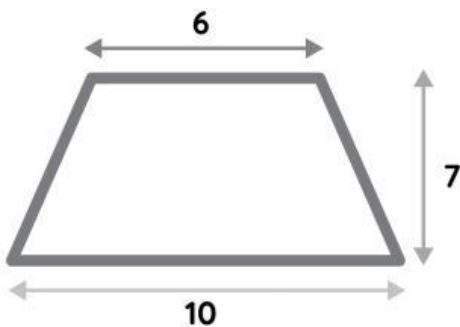
Area =



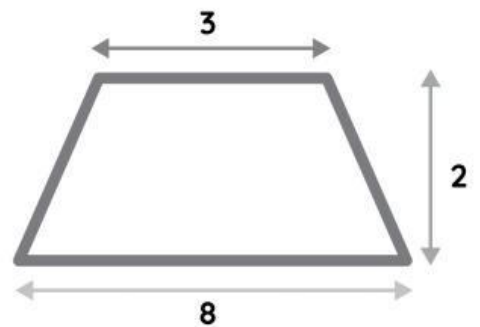
Area =



Area =



Area =



Area =