

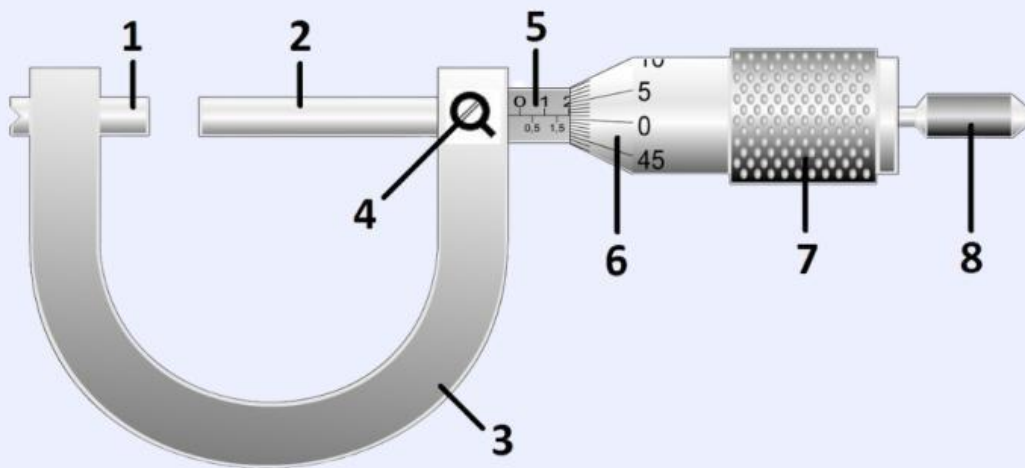
Nama: \_\_\_\_\_

Kelas: \_\_\_\_\_

# Ayo berlatih



Tuliskan bagian-bagian dari mikrometer sekrup!



---

---

---

---

---

---

---

---

---

---