

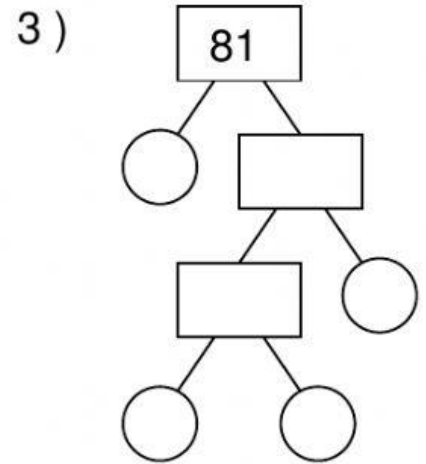
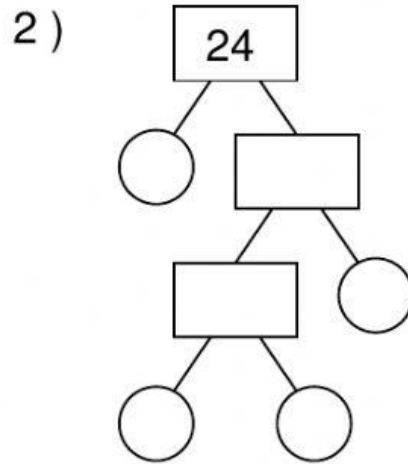
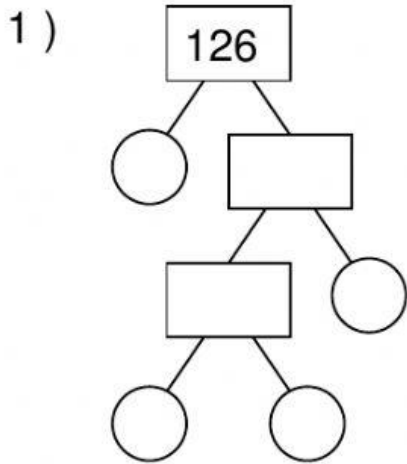
Name : _____

Score : _____

Teacher : _____

Date : _____

Find the Prime Factors of the Numbers



Prime Factors

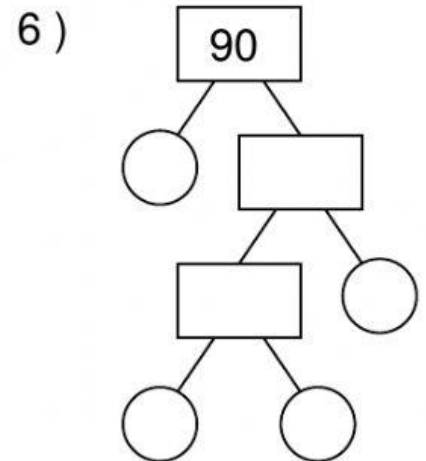
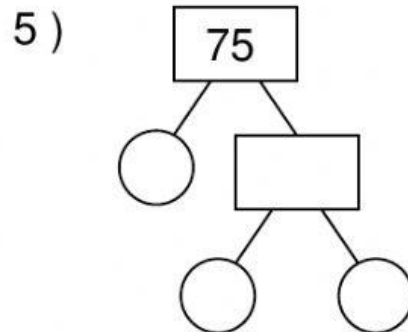
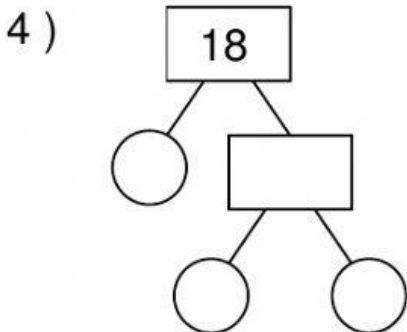
 x x x = 126

Prime Factors

 x x x = 24

Prime Factors

 x x x = 81



Prime Factors

 x x = 18

Prime Factors

 x x = 75

Prime Factors

 x x x = 90