

Name: _____

Class: _____

Date: _____

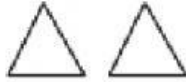
Patterns and Symmetry

Worksheet 1

- 1 Observe the pattern and hence draw House #4.



House
#1



House
#2



House
#3

Write the number of triangles and rectangles used for House #4

- 2 Observe the pattern and fill in the blanks.

(a) $6 \times 3 = 18$

$60 \times 3 = \underline{\hspace{2cm}}$

$600 \times 3 = \underline{\hspace{2cm}}$

$6000 \times 3 = \underline{\hspace{2cm}}$

$\underline{\hspace{2cm}} \times 3 = 180000$

(a) $2 \div 2 = 1$

$20 \div 2 = \underline{\hspace{2cm}}$

$200 \div \underline{\hspace{1cm}} = \underline{\hspace{2cm}}$

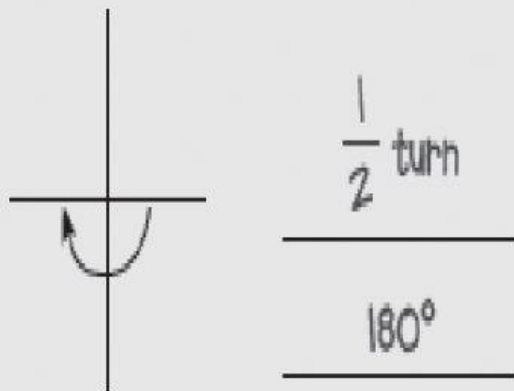
$2000 \div 2 = \underline{\hspace{2cm}}$

$\underline{\hspace{2cm}} \div 2 = 10000$

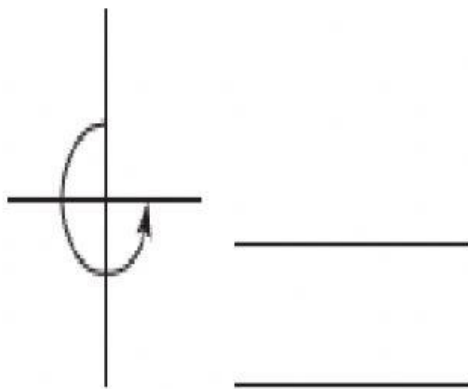
L2 Worksheet 1

- 1 Write the amount of turn as a fraction and in degrees.

Example



(a)



(b)

