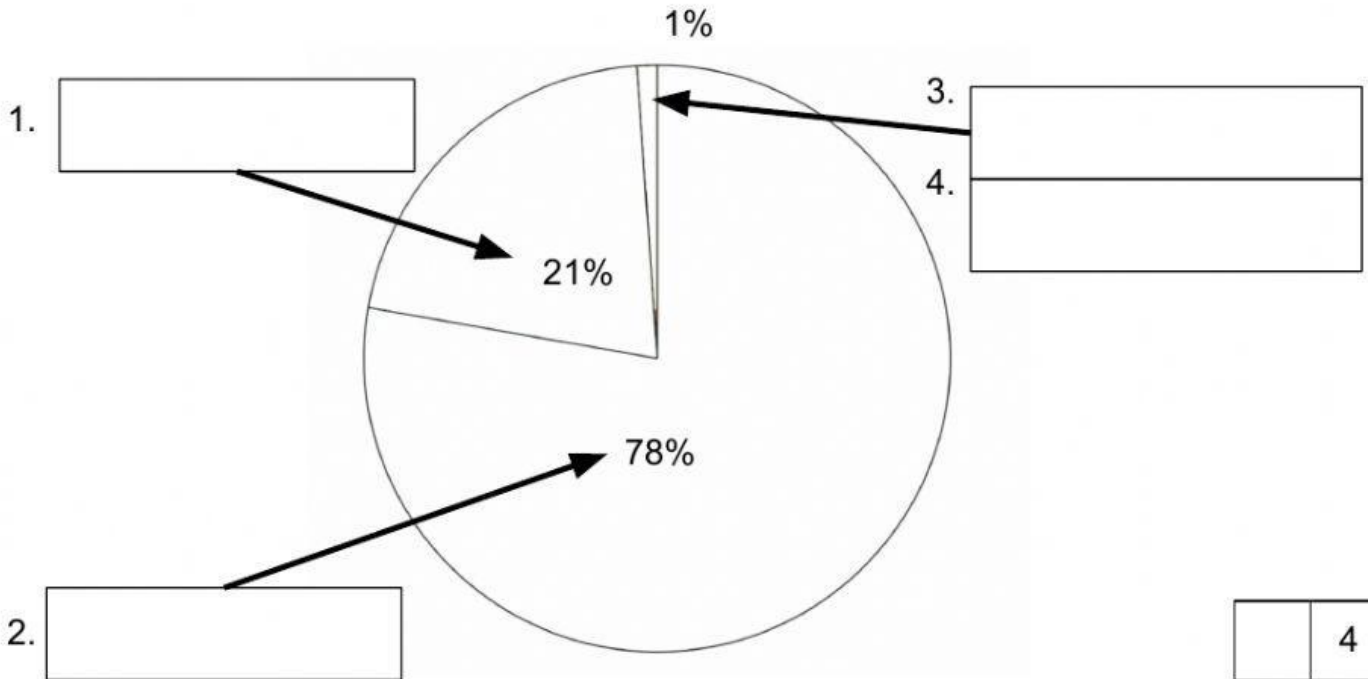


Air Unit Test

Label the diagram. Use the word bank

	25
--	----

Oxygen	Noble gases	Nitrogen	Carbon dioxide
--------	-------------	----------	----------------




Complete the following sentences. Circle the correct word.

1. **Nitrogen** / **Oxygen** is the largest component of air.
2. All living things need **oxygen** / **helium** to breathe.
3. The **air layer** / **atmosphere** is a layer of air around Earth.
4. Plants use sunlight and **carbon dioxide** / **nitrogen** to make food.
5. On a cold bottle of water, we can see **neon** / **water vapor** change back to a liquid.

	5
--	---

Sort the activities into two groups.


Burning waste electric buses gas scrubbers
 fossil-fueled power stations composting volcanic eruptions

 Causes air pollution

1. _____

2. _____

3. _____

 Reduces air pollution

1. _____

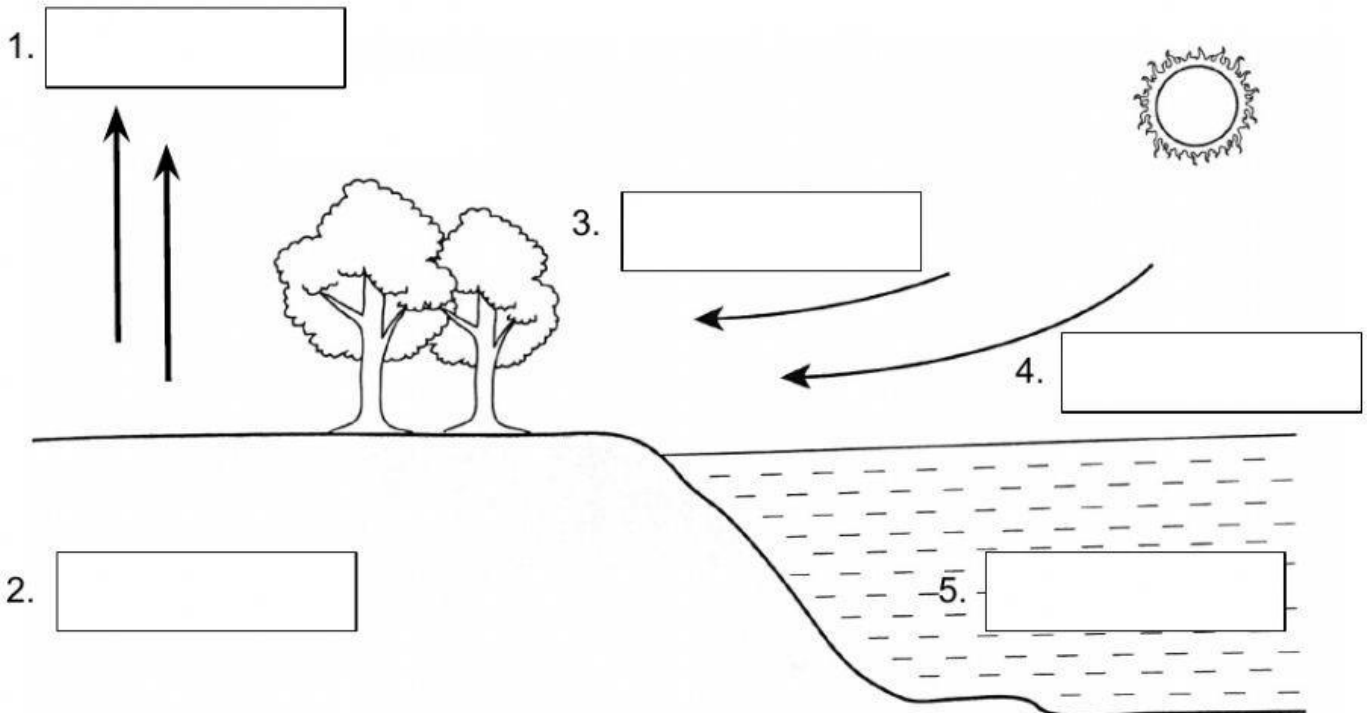
2. _____

3. _____

	6
--	---

Label the diagram. Use the words in the word bank.

warm land wind cool sea cool air warm air



	5
--	---

Choose 'true' or 'false' from the statements below.



Light winds help to dry clothes.

true

false



Plants need carbon dioxide to make soil.

true

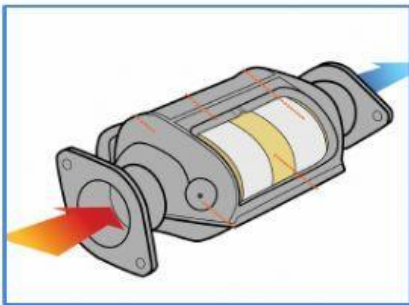
false



Strong winds can uproot trees and damage buildings.

true

false



A catalytic converter doesn't clean air.

true

false



Oxygen is 21% of air.

true

false