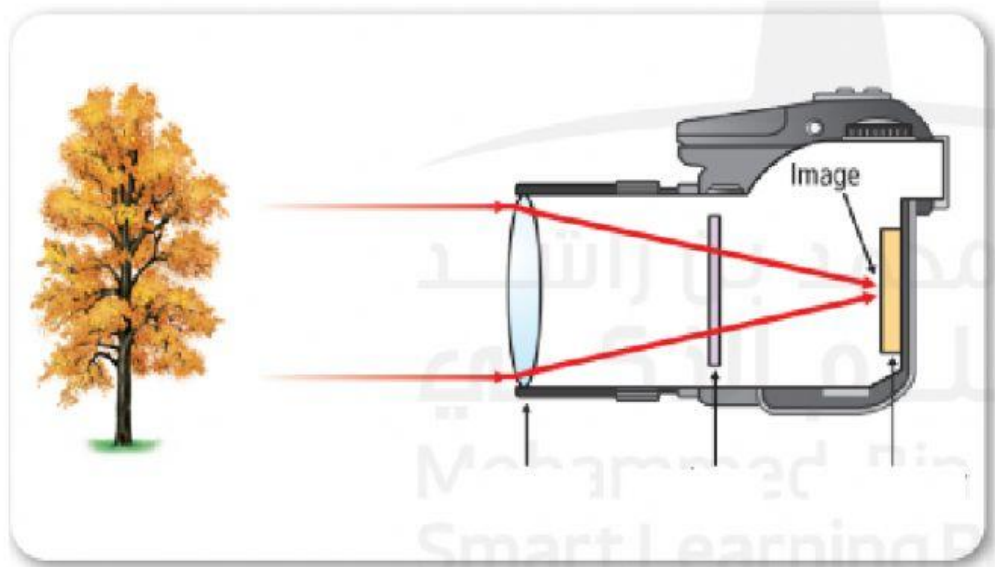


CAMERA



When you take a picture with a camera, a _____ opens to allow light to enter the camera for a specific length of time.

The light reflected off the object enters the camera through an opening called the _____

The camera lens focuses the image onto an _____, which converts light into _____