

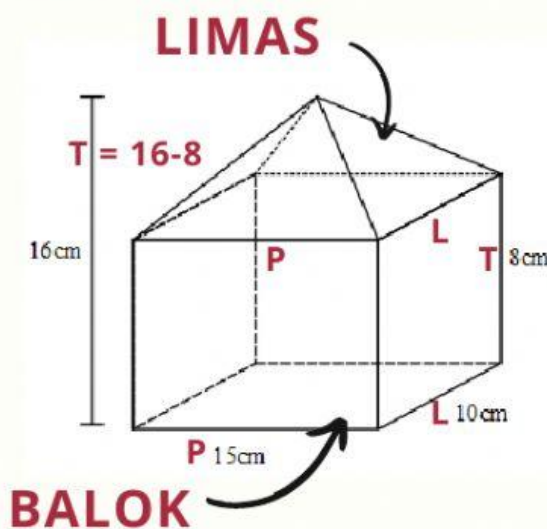


LEMBAR KERJA PESERTA DIDIK

MATEMATIKA - KELAS 6

HARI/ TANGGAL	: JUM'AT, 5 NOVEMBER 2021
TUJUAN	: MENGHITUNG VOLUME GABUNGAN PRISMA DAN LIMAS
MATERI	: VOLUME BANGUN RUANG
KEGIATAN	: SELF LEARNING DAN LATIHAN SOAL

1 PELAJARI CONTOH SOAL BERIKUT INI!



DIK : BALOK P = 15, L = 10, T = 8 CM

: LIMAS P = 15, L = 10, T = 8 CM

DIT : V = ...

JWB : V BALOK = P X L X T

$$= 15 \times 10 \times 8$$

$$= 1.200 \text{ CM}^3$$

$$V \text{ LIMAS} = \frac{1}{3} \times L \times L \times T$$

$$= \frac{1}{3} \times P \times L \times T$$

$$= \frac{1}{3} \times 15 \times 10 \times 8$$

$$= \frac{1}{\cancel{3}} \times \overset{5}{\cancel{15}} \times 10 \times 8$$

$$= 5 \times 10 \times 8$$

$$= 400 \text{ CM}^3$$

V GABUNGAN = V. BALOK + V. LIMAS

$$= 1.200 + 400$$

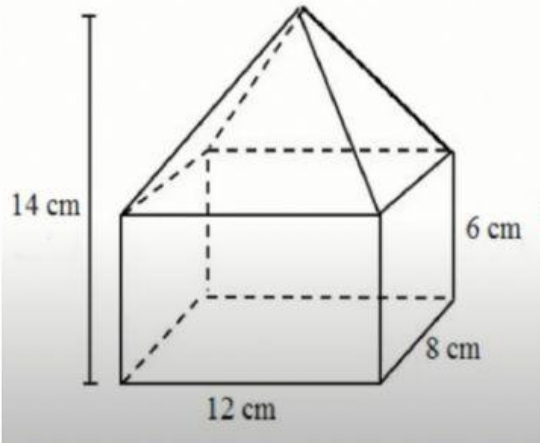
$$= 1.600 \text{ CM}^3$$



LEMBAR KERJA PESERTA DIDIK

MATEMATIKA - KELAS 6

2 KERJAKAN LATIHAN SOAL BERIKUT INI!



DIK : BALOK P = , L = , T = CM

: LIMAS P = , L = , T = CM

DIT : V = ...

JWB : V BALOK = X X

= X X

= CM³

V LIMAS = $\frac{1}{3}$ X X

= $\frac{1}{3}$ X X X

= $\frac{1}{3}$ X X X

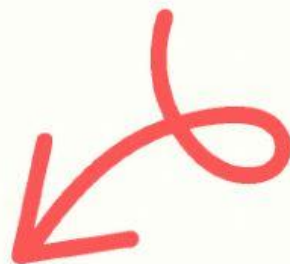
= X X

= CM³

V GABUNGAN = V. BALOK + V. LIMAS

= +

= CM³

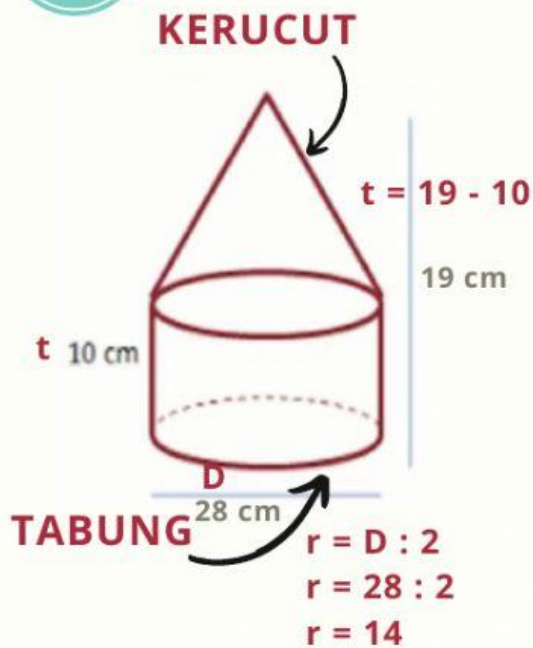




LEMBAR KERJA PESERTA DIDIK

MATEMATIKA - KELAS 6

1 PELAJARI CONTOH SOAL BERIKUT INI!



DIK : tabung $r = 14$, $t = 10 \text{ cm}$
: kerucut $r = 14$, $t = 9 \text{ cm}$

DIT : $V = \dots$

JWB : $V \text{ TABUNG} = \pi \times r \times r \times t$

$$= \frac{22}{7} \times 14 \times 14 \times 10$$

$$= \frac{22}{\cancel{7}} \times \cancel{14}^2 \times 14 \times 10$$

$$= 22 \times 2 \times 14 \times 10$$

$$= 6.160 \text{ CM}^3$$

$$V \text{ KERUCUT} = \frac{1}{3} \times LA \times T$$

$$= \frac{1}{3} \times \pi \times r \times r \times t$$

$$= \frac{1}{3} \times \frac{22}{7} \times 14 \times 14 \times 9$$

$$= \frac{1}{\cancel{3}} \times \frac{22}{\cancel{7}} \times \cancel{14}^2 \times 14 \times \cancel{9}^3$$

$$= 22 \times 2 \times 14 \times 3$$

$$= 1.848 \text{ CM}^3$$

V GABUNGAN = $V. \text{ TABUNG} + V. \text{ KERUCUT}$

$$= 6.160 + 1.848$$

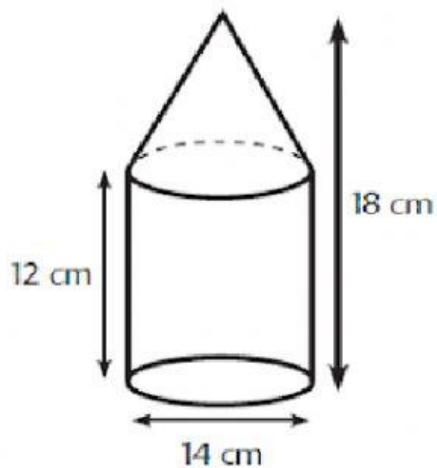
$$= 8.008 \text{ CM}^3$$



LEMBAR KERJA PESERTA DIDIK

MATEMATIKA - KELAS 6

2 KERJAKAN LATIHAN SOAL BERIKUT INI!



DIK : tabung $r =$, $t =$ cm
: kerucut $r =$, $t =$ cm

DIT : $V = \dots$

$$\begin{aligned} \text{JWB : } V \text{ TABUNG} &= \pi \times \times \times \\ &= \times \times \times \\ &= \times \times \times \\ &= \text{CM}^3 \end{aligned}$$

$$\begin{aligned} V \text{ KERUCUT} &= \times \times \\ &= \times \pi \times \times \times \\ &= \times \times \times \times \\ &= \times \times \times \\ &= \text{CM}^3 \end{aligned}$$

$V \text{ GABUNGAN} = V. \text{ TABUNG} + V. \text{ KERUCUT}$

$$\begin{aligned} &= + \\ &= \text{CM}^3 \end{aligned}$$