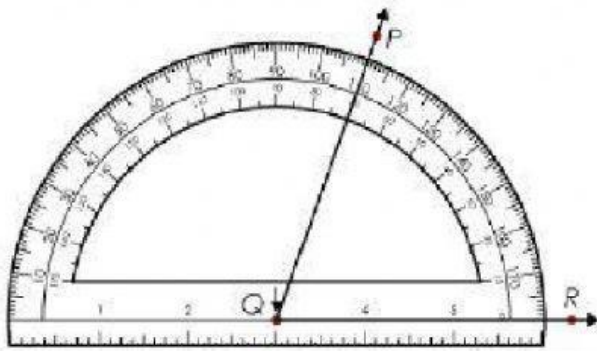
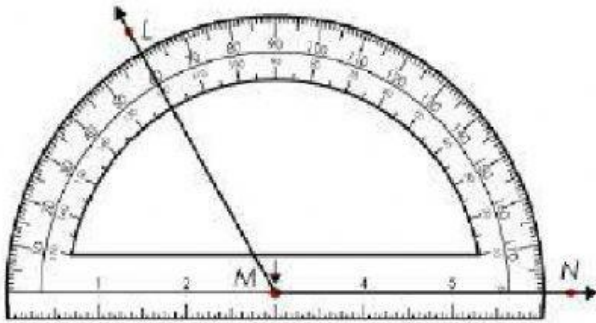


Using a Protractor

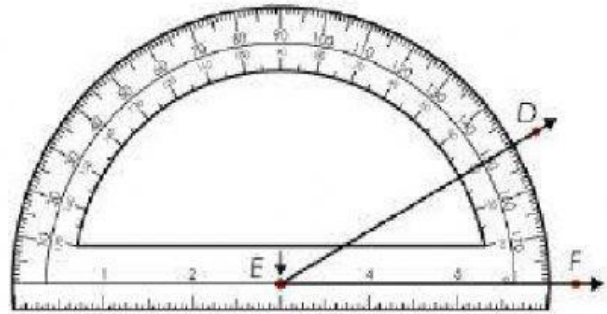


The protractor's arrow and pen hole is placed on the angle's vertex. The 0° line is placed over one side of the angle. Read the measure where the other leg of the angle intersects the protractor.

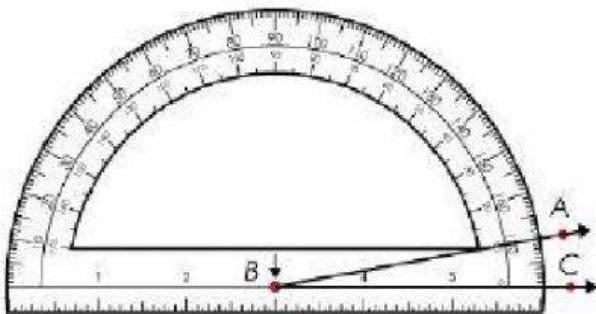
$\angle PQR$ measures 70° .



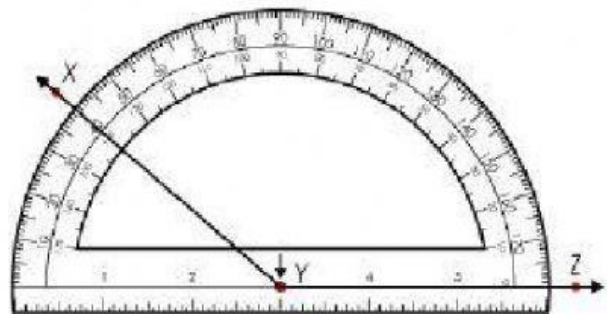
$\angle LMN =$ _____



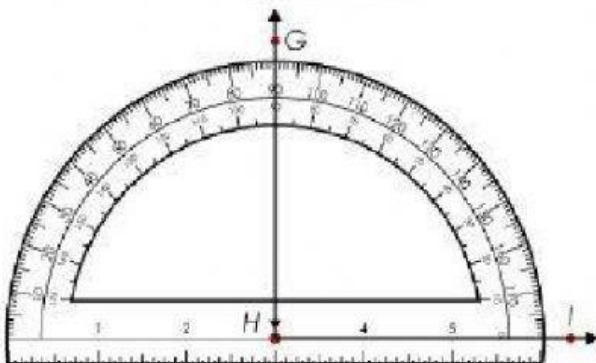
$\angle DEF =$ _____



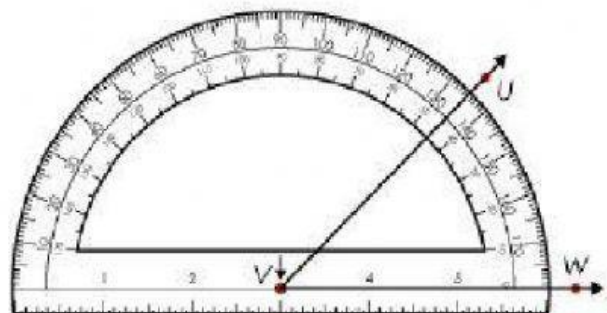
$\angle ABC =$ _____



$\angle XYZ =$ _____



$\angle GHI =$ _____



$\angle UVW =$ _____