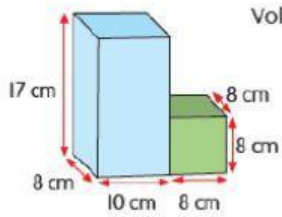


EXERCISE: VOLUME OF COMPOSITE SHAPES

1.



Vol

CUBOID

10cm x 8cm x 17cm

cm³

CUBE

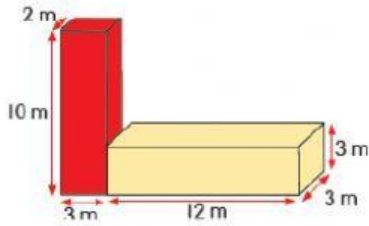
8cm x 8cm x 8cm

cm³

TOTAL

cm³

2.



RED

x

x

cm³

YELLOW

x

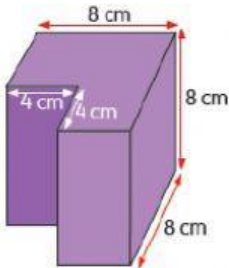
x

cm³

TOTAL

cm³

3.



TOTAL

8cm x 8cm x 8cm

cm³

0 SPACE

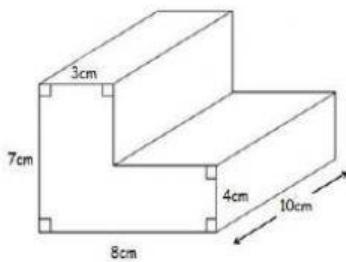
4cm x 4cm x 8cm

cm³

PURPLE

cm³

4.



TOTAL

x

x

cm³

0 SPACE

x

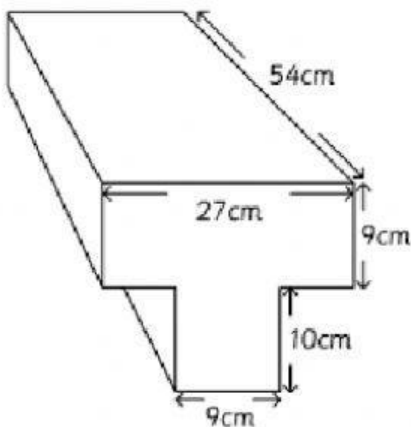
x

cm³

ANSWER

cm³

5.



Do your calculation in a piece of paper, write your answer here.

cm³