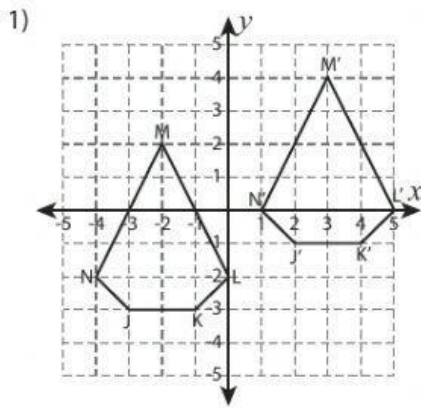


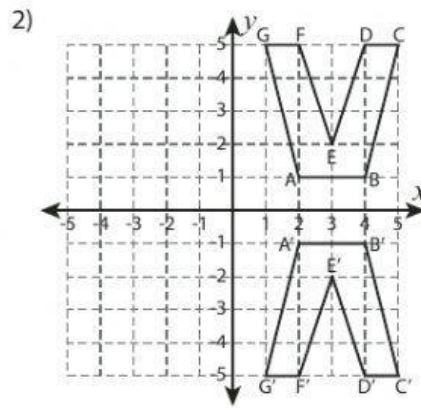
## Transformation of Shapes

Sheet 1

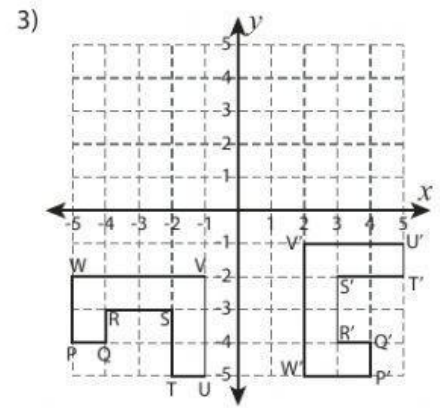
Recognize how each shape has transformed. Write translation, reflection or rotation.



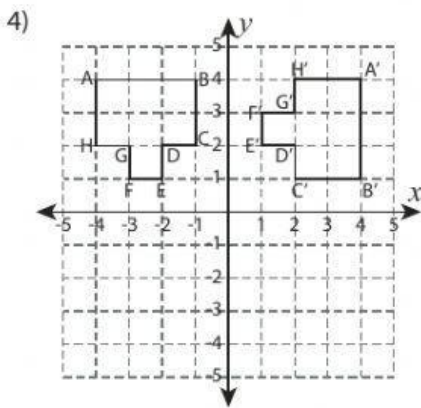
\_\_\_\_\_



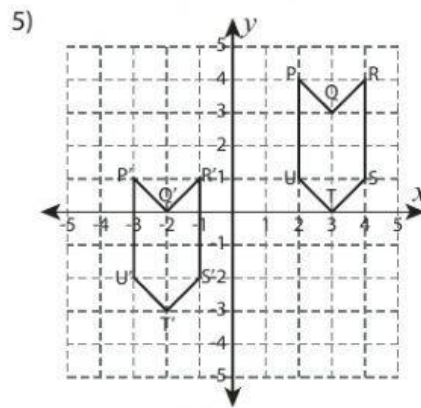
\_\_\_\_\_



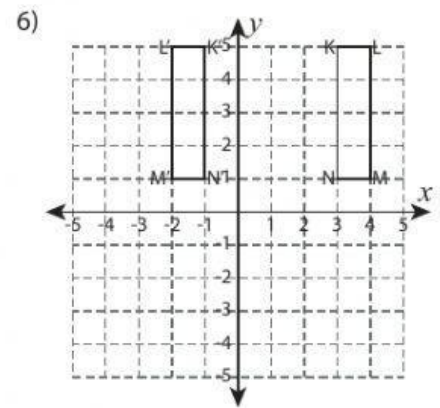
\_\_\_\_\_



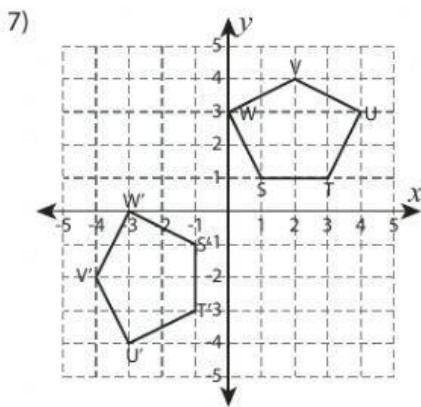
\_\_\_\_\_



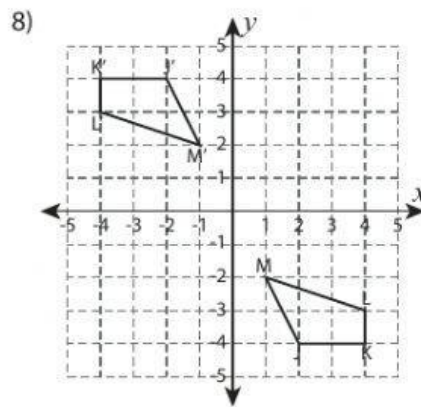
\_\_\_\_\_



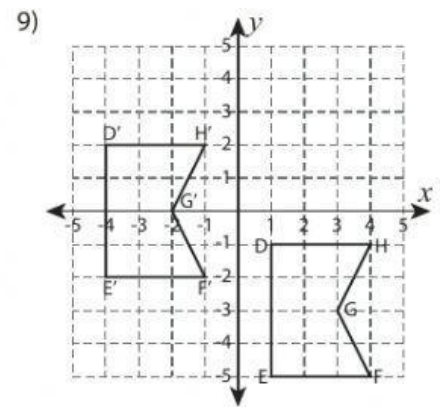
\_\_\_\_\_



\_\_\_\_\_



\_\_\_\_\_



\_\_\_\_\_