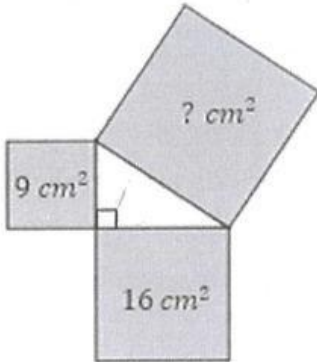


Activity D – Calculate unknown side-lengths

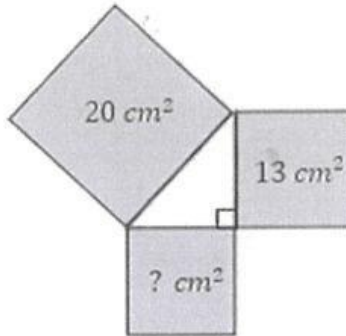
The diagrams below are not drawn accurately. Every triangle contains a right angle.

In questions 1-3, find the missing areas.

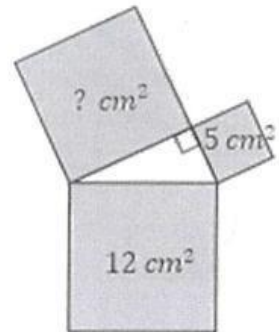
(1)



(2)

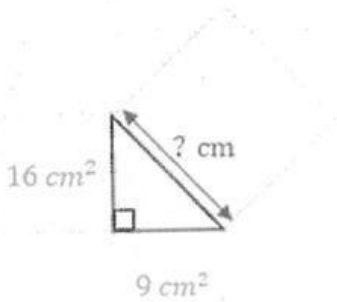


(3)

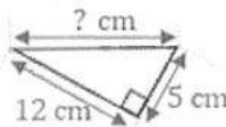


In questions 4-12, find the missing lengths.

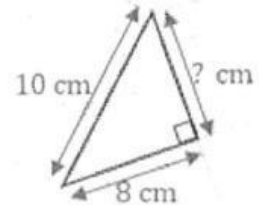
(4)



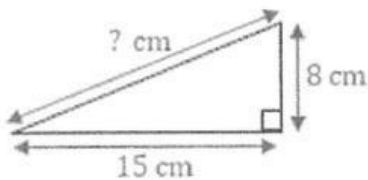
(5)



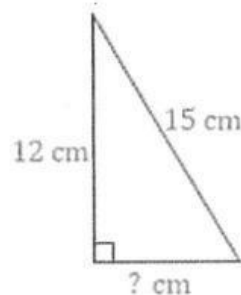
(6)



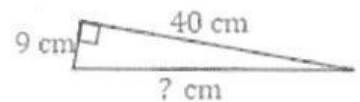
(7)



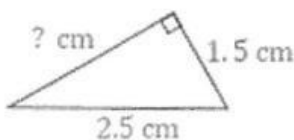
(8)



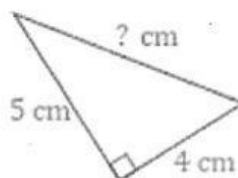
(9)



(10)



(11)



(12)

