

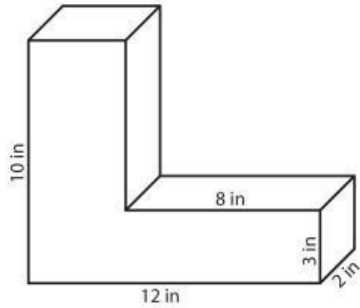
Name : \_\_\_\_\_

## Volume - Rectangular Prism

Sheet 1

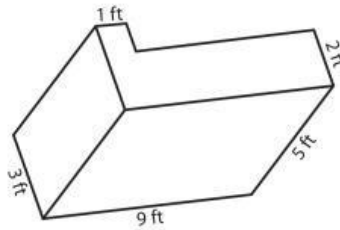
Find the volume of each L - block.

1)



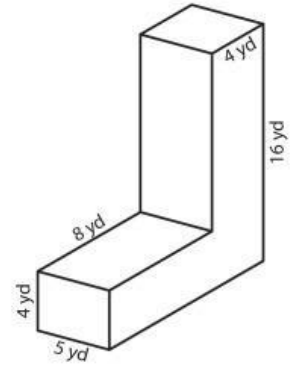
Volume = \_\_\_\_\_

2)



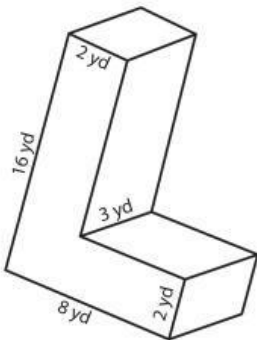
Volume = \_\_\_\_\_

3)



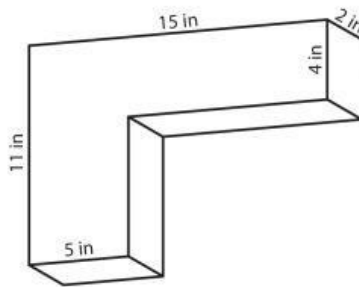
Volume = \_\_\_\_\_

4)



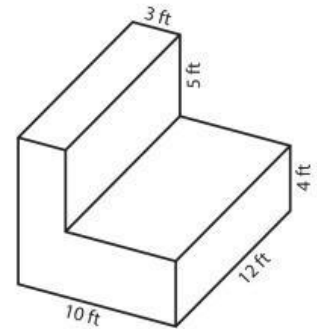
Volume = \_\_\_\_\_

5)



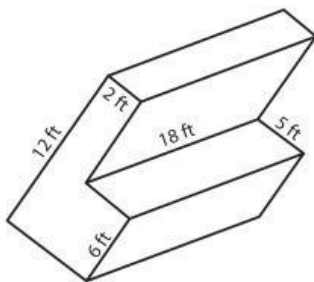
Volume = \_\_\_\_\_

6)



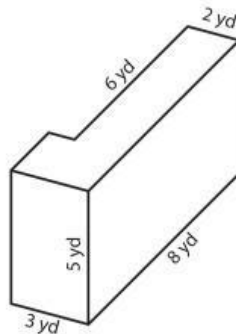
Volume = \_\_\_\_\_

7)



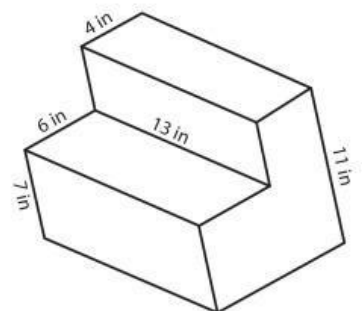
Volume = \_\_\_\_\_

8)



Volume = \_\_\_\_\_

9)



Volume = \_\_\_\_\_