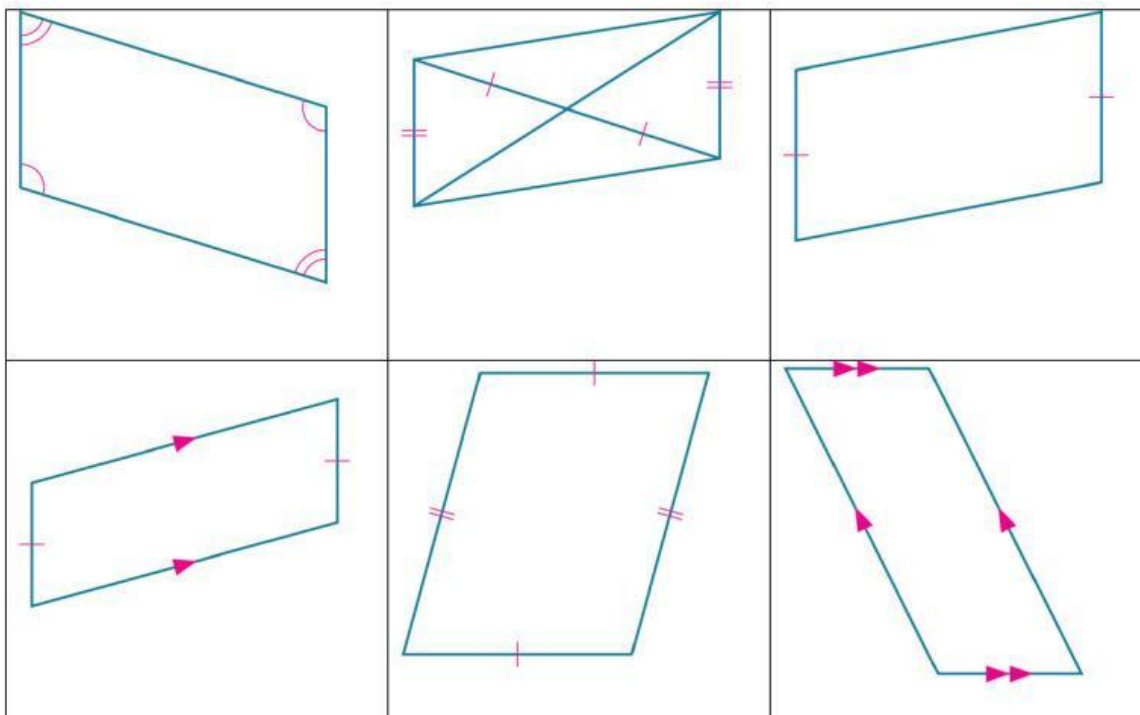


## Test of Parallelograms

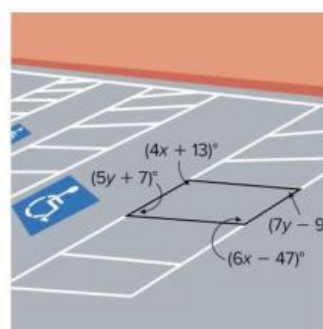
### Bronze

Determine whether each quadrilateral is a parallelogram. Justify your answer.



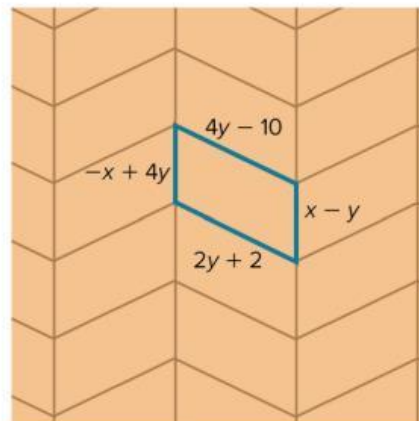
### Silver

**1. ACCESS AISLES** The hashed area adjacent to accessible parking spots is often drawn in repeating parallelogram figures. Find the values of  $x$  and  $y$  so that the quadrilateral shown is a parallelogram.



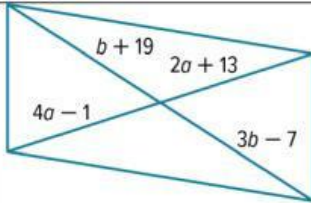
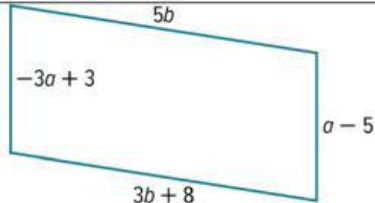
### Test of Parallelograms

**2. TILES** The tiles in the art appear to represent parallelograms. Find the values of  $x$  and  $y$  so that the quadrilateral shown is a parallelogram.



### 🏆 Gold

Find the values of  $a$  and  $b$  so that each quadrilateral is a parallelogram.

	
---	--