

# Unit 2: Safety first

## Assignment

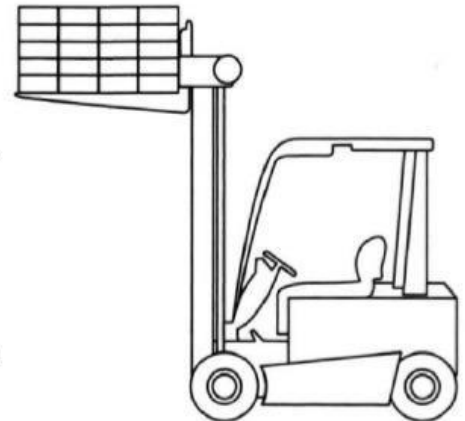


1. Put the words in the correct order to make questions.

- a- Come / can / I / in / ?
  
- b- Me / you / can / pass / hammer / that / ?
  
- c- Can / use / phone / your / I / ?
  
- d- This / you / me / help / carry / can / pipe / ?
  
- e- Harness / can / you / me / show / this / to / how / use / safety / ?
  
- f- Hard / take / my / off / I / can / hat / ?

2. Answer the questions with Yes, it can or No, it can't.

- a- Can it lift 450kg? \_\_\_\_\_
  
- b- Can the tank hold 20 l? \_\_\_\_\_
  
- c- Can it do 30 kph? \_\_\_\_\_
  
- d- Can the tank hold 30 l? \_\_\_\_\_
  
- e- Can it do 20 kph? \_\_\_\_\_
  
- f- Can it lift 550 kg? \_\_\_\_\_



**Lift:** 500 kg  
**Speed:** 25 kph  
**Tank:** 25 l

3. Explain the signs. Use *You must* or *You mustn't*.

1 **No mobile phones**

---

2 **Watch for trucks**

---

3 **Do not switch off this machine**

---

4 **Wear a hard hat**

---

5 **Danger. Sparks. Wear goggles**

---

6 **High voltage wires. Do not touch**

---

4. Rewrite the sentences with *should* or *shouldn't* and the verb in bold.

- a. It isn't a good idea for you to **apologize**. You haven't done anything wrong.

I don't think you should apologize. You haven't done anything wrong.

- b. It's always a good idea to **wear** a hat in the sun.

You \_\_\_\_\_ a hat in the sun.

- c. It's a bad idea to **buy** that old house.

You \_\_\_\_\_ that old house.

Profesora: *Micaela Lucia Cantudo*

- d. If you're in London, it's a good idea to **visit** the British Museum.

If you're in London, you \_\_\_\_\_ the British Museum.

- e. I know it isn't a good idea for me to **have** another chocolate.

I know I \_\_\_\_\_ another chocolate.

- f. It's a good idea for us to **get** a new car.

We \_\_\_\_\_ a new car.

Profesora Micaela Cantudo