

ESCUELA DE EDUCACIÓN BÁSICA MANUEL GOMEZ ABAD

ENGLISH EXAM

Durán-Ecuador

Teacher: Lcdo. Javier Chiqui



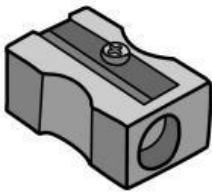
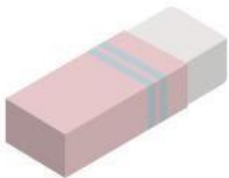

Student Name: _____

Course: 4th Grade EGB

Date: 06/02/2024

1. Drag and drop the name of the following school supplies to the correct place (image) (2,5 points- 0,5 each)

Eraser Pencil sharpener Lunch box Ruler Uniform

				
<input style="width: 100px; height: 30px;" type="text"/>	<input style="width: 100px; height: 30px;" type="text"/>	<input style="width: 100px; height: 30px;" type="text"/>	<input style="width: 100px; height: 30px;" type="text"/>	<input style="width: 100px; height: 30px;" type="text"/>

2. Fill in the blanks to complete the words related to school subjects. (2,5 points-0,5 each)

- | | |
|----------------|------------|
| a. A__t | c. M__s__c |
| b. G__o__ra__y | d. M__t__ |
| e. __is__ory | |

3. Complete the following sentences with the correct form of the Verb To Be (am/is/are) and the occupation represented in each image. (2,5 points- 0,5 each)



a. He ___ a _____.



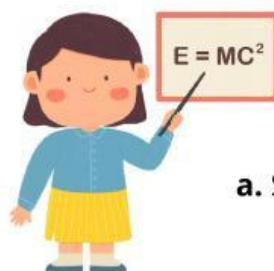
a. I ___ a _____.



a. He ___ a _____.



a. You ___ a _____.



a. She ___ a _____.

4. Match the pictures about the occupations with its correct name (2,5 points- 0,5 each).



Journalist



Nurse



Engineer



Vet



Chef