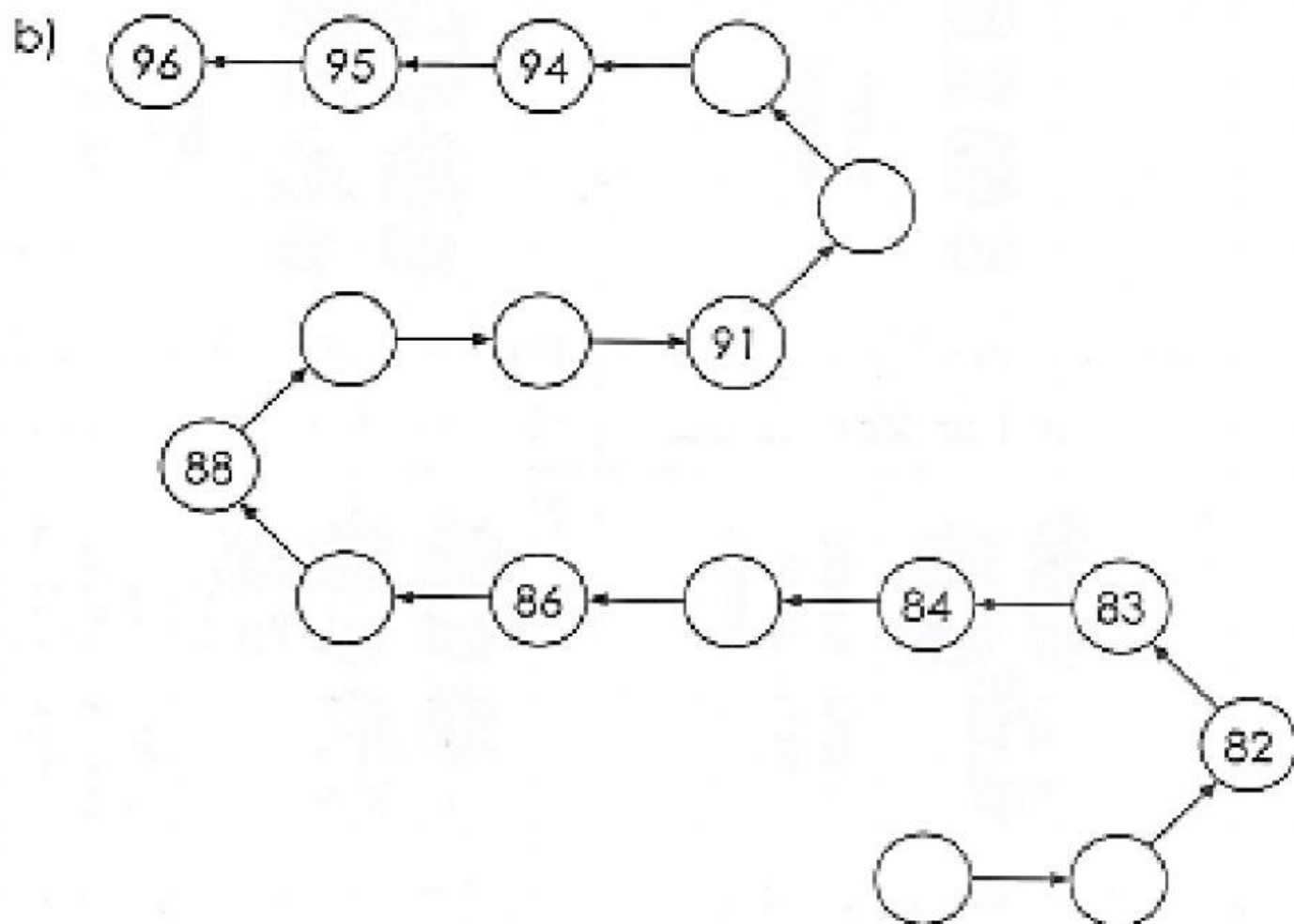
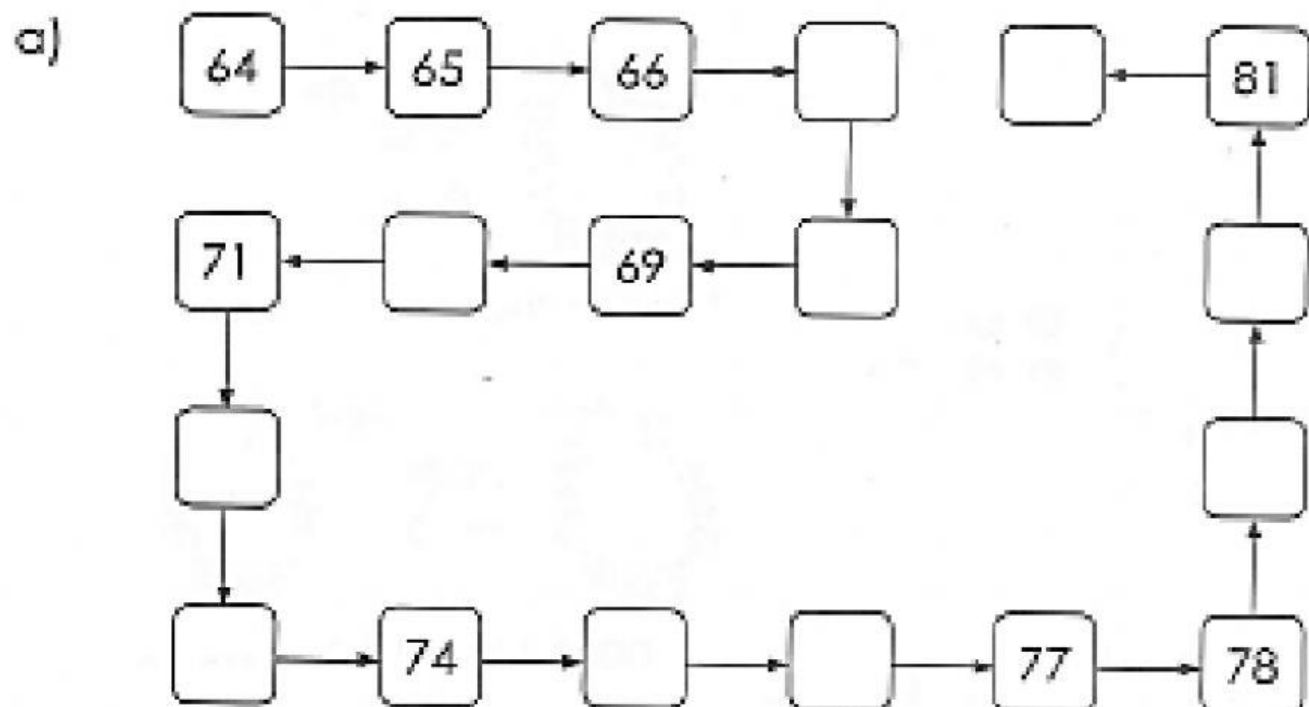


MATHEMATICS

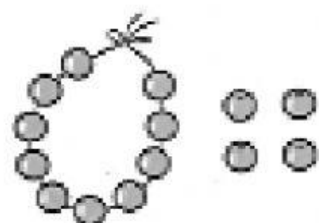
Fill in the missing numbers.



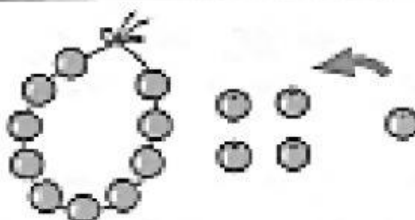
MATHEMATICS

Fill in the missing numbers.

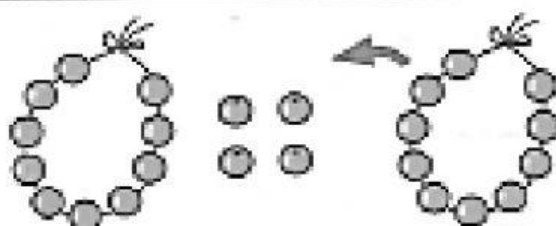
a)



14

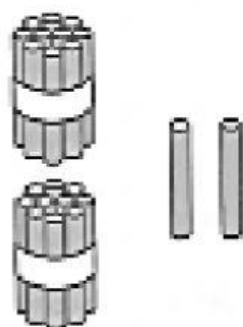


1 more than 14 is _____.



10 more than 14 is _____.

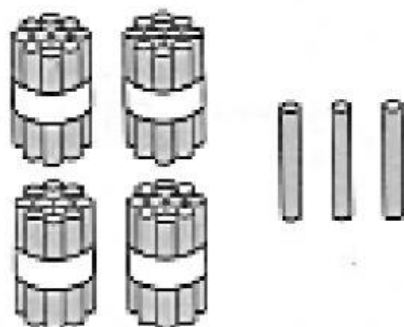
b)



1 more than 22 is _____.

10 more than 22 is _____.

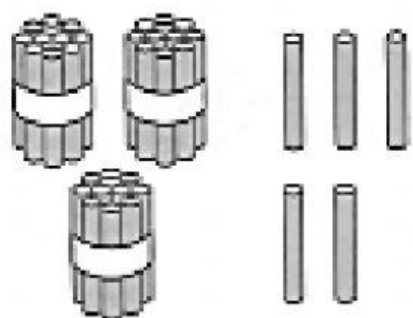
c)



1 more than 43 is _____.

10 more than 43 is _____.

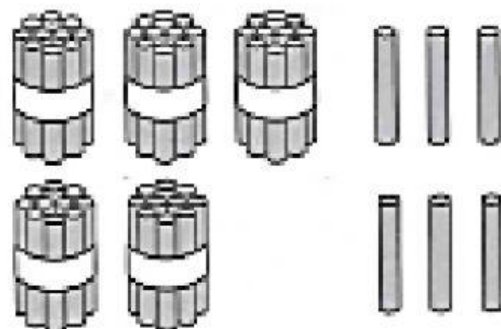
d)



1 more than 35 is _____.

10 more than 35 is _____.

e)



1 more than 56 is _____.

10 more than 56 is _____.

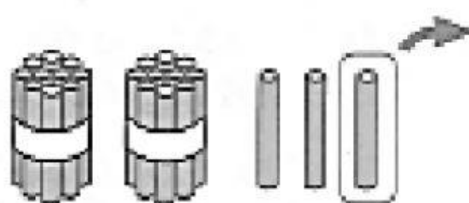
MATHEMATICS

Fill in the missing numbers.

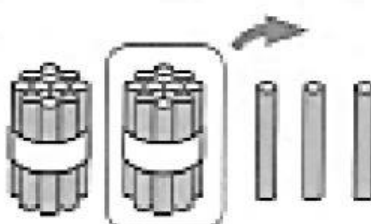
a)



23



1 less than 23 is _____.



10 less than 23 is _____.

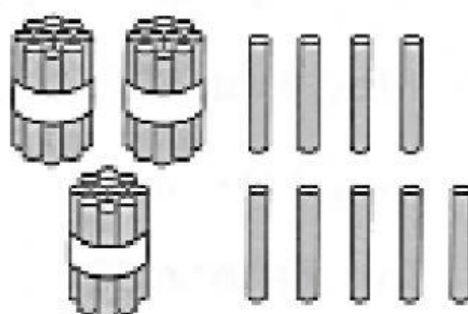
b)



1 less than 15 is _____.

10 less than 15 is _____.

c)



1 less than 39 is _____.

10 less than 39 is _____.

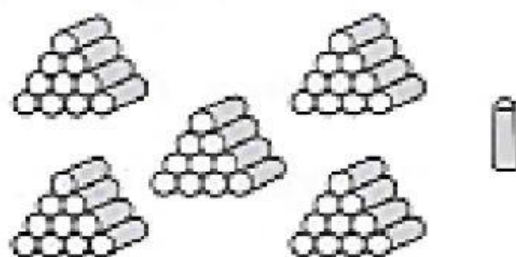
d)



1 less than 27 is _____.

10 less than 27 is _____.

e)



1 less than 51 is _____.

10 less than 51 is _____.