
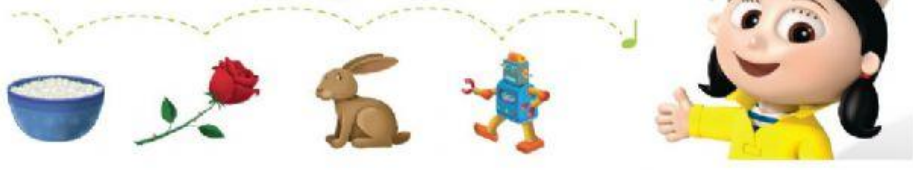









E Listen and chant. disc 23

That is your .




B Write Rr. Then match.

1.   6. 

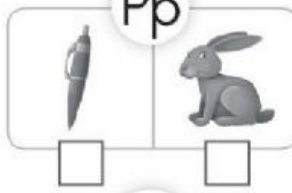
2.  3.  4.  5. 

A Which ones begin with the sound? Write ✓.

1. Rr



2. Pp




3. Qq



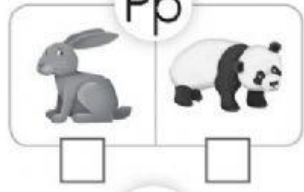
4. Qq



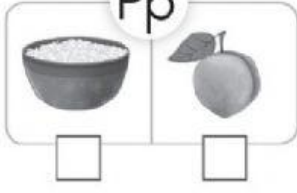
5. Rr



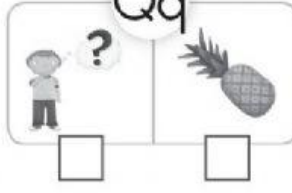
6. Pp



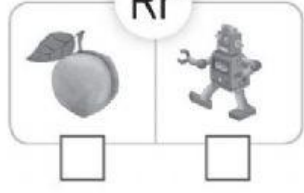
7. Pp



8. Qq



9. Rr



B Listen, circle, and write. 28

1.   

2.   

3.   

4.   

5.   

6.   