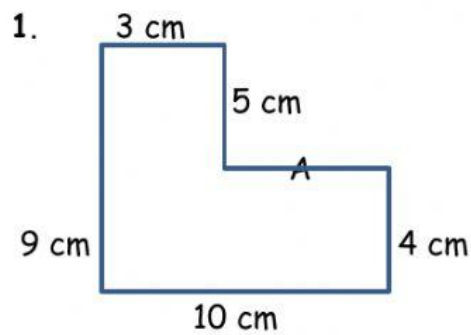
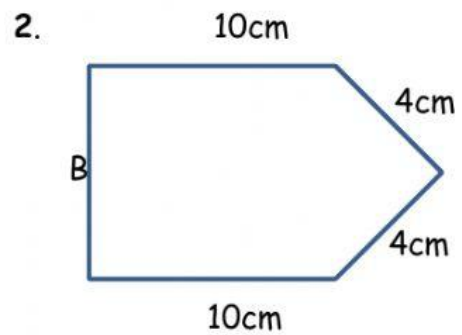


The perimeter is given. Calculate the unknown side for each figure.



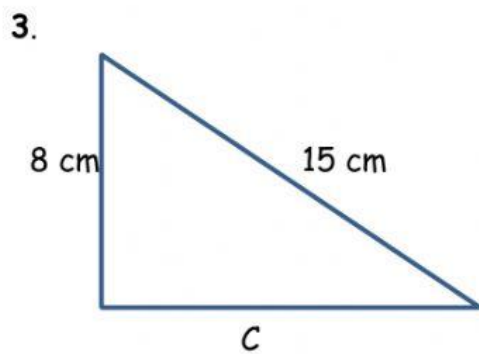
Perimeter = 38 cm

Side A = cm



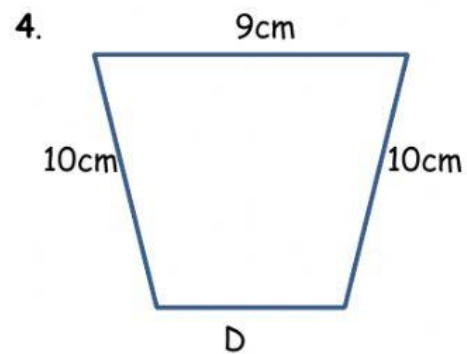
Perimeter = 39 cm

Side B = Cm



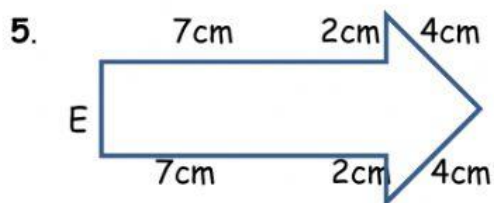
Perimeter = 35 cm

Side C = cm



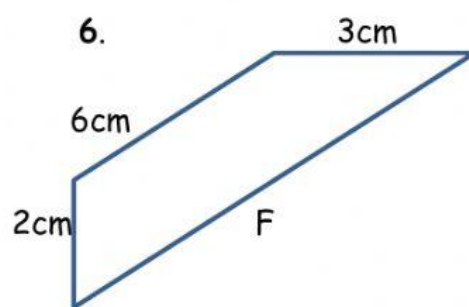
Perimeter = 38 cm

Side D = cm



Perimeter 29 cm

Side E = Cm



Perimeter = 25 cm

Side F = cm