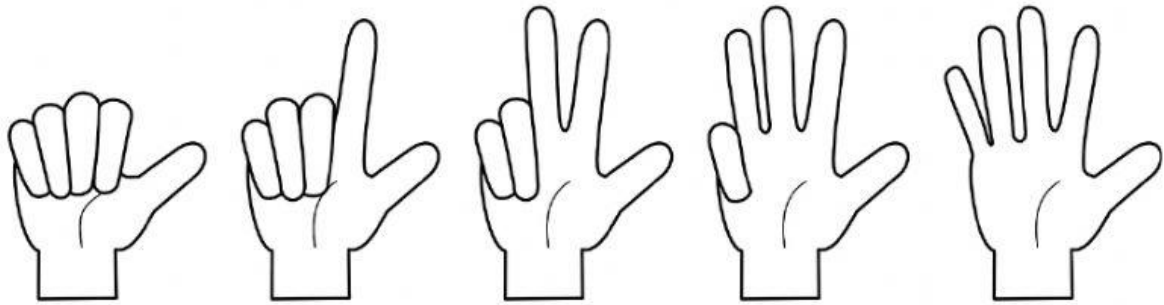























Practice: Counting Syllables



Counting by OpenClipart-Vectors from Pixabay

How many syllables are in each of the words below?

 count ___	 area ___	 laughed ___
 counted ___	 certain ___	 started ___
 able ___	 community ___	 learned ___
 English ___	 cup ___	 watched ___
 above ___	 eight ___	 people ___
 activity ___	 five ___	 responsibility ___
 already ___	 information ___	 usually ___