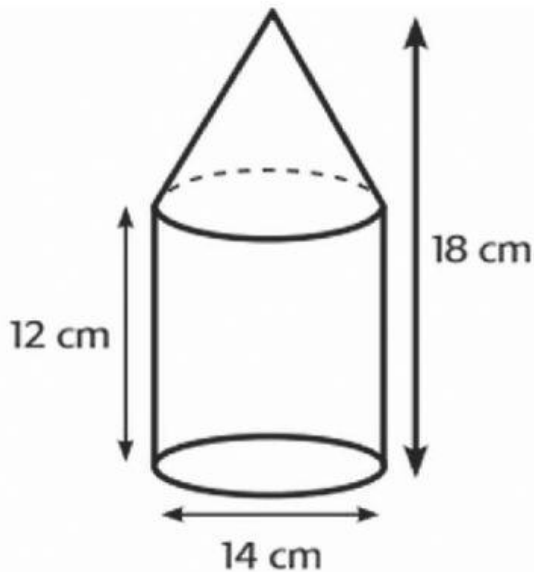


Nilai



Nama

Hitunglah volume gabungan berikut !



Volume kerucut

$$\text{Volume} = \frac{1}{3} \pi r^2 t$$

$$= \frac{1}{3} \times \frac{22}{7} \times \boxed{} \times \boxed{} \times \boxed{}$$

$$= \boxed{} \text{ cm}^3$$

Rumus Volume Tabung

$$V = \pi * r^2 * t$$

$$= \frac{22}{7} \times \boxed{} \times \boxed{} \times \boxed{}$$

$$= \boxed{} \text{ cm}^3$$

Volume gabungan = volume kerucut + volume tabung

$$= \boxed{} \text{ cm}^3 + \boxed{} \text{ cm}^3$$

$$= \boxed{} \text{ cm}^3$$