

Subject: Grade 7 Natural Sciences
Topic: Methods of physical separation
Total: 35 Marks

Name: _____
Date: _____

Question 1: True/False

2 marks

The separation method of chromatography requires that the chromatography paper be placed in water.

TRUE

FALSE

Question 2: Please Fill In The Blanks

4 marks

The two separation methods used to separate a soluble solid from water are (1) and (2) .

Give your answers in alphabetical order.

Possible Answers: chromatography | distillation | evaporation | filtration

1

2

Question 3: Multiple Choice

4 marks

To separate iron from our refuse, ... is used.

- | | |
|----------|--------------|
| A | distillation |
| B | filtration |
| C | a magnet |
| D | a sieve |
-

This image refers to question: 4



<https://www.recyclingbins.co.uk/blog/how-is-recycling-sorted/>

Question 4: Text Input

3 marks

This method of separation is called ... sorting.

Question 5: Please Fill In The Blanks

4 marks

A (1) substance is a solid that can dissolve in water. An example of this solid is (2).

Possible Answers: soluble | insoluble | salt | pepper | sand

1	<input type="text"/>
----------	----------------------

2	<input type="text"/>
----------	----------------------

This image refers to question: 6



Question 6: Please Fill In The Blanks

6 marks

The evaporation method of separation is used to separate (1) solid from a (2) . The mixture is heated and the (3) turns into a (4) .

Possible Answers: an insoluble | a soluble | liquid | gas

1	
3	

2	
4	

Question 7: True/False

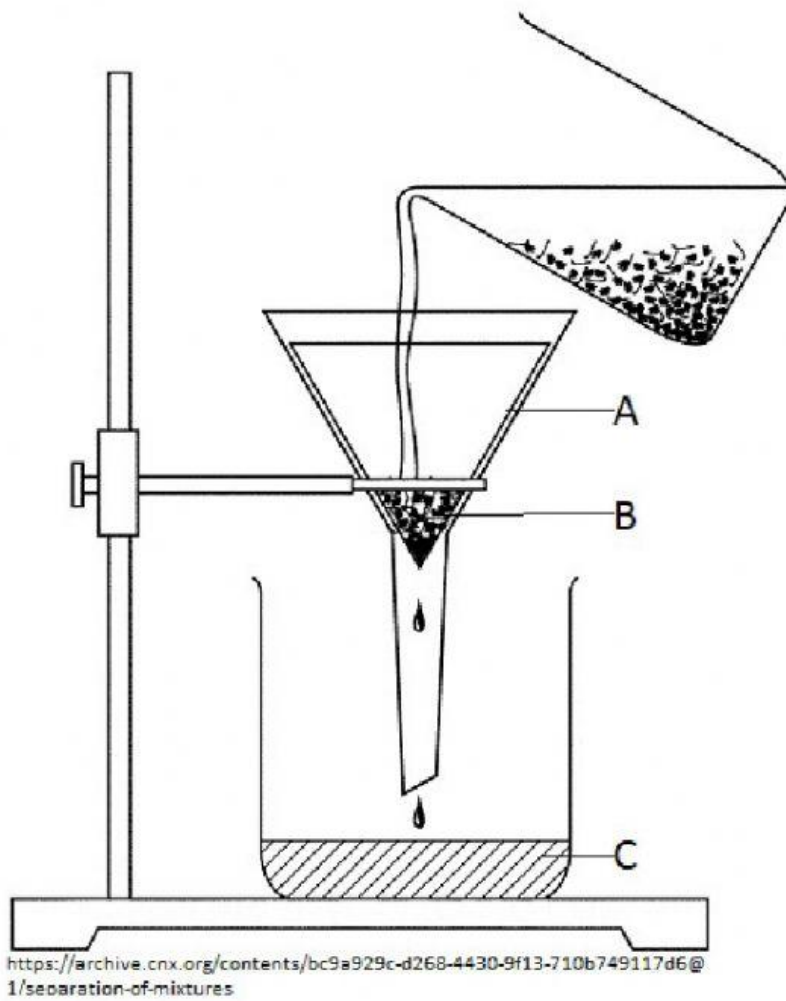
2 marks

Chromatography is used to separate a mixture of a dissolved solid and a liquid.

TRUE

FALSE

This image refers to question: 8, 9, 10



Question 8: Multiple Choice

4 marks

This method of separation is called

- | | |
|----------|--------------|
| A | distillation |
| B | evaporation |
| C | filtration |
| D | sieving |

Question 9: Please Fill In The Blanks

4 marks

This diagram shows the filtration method of separating mixtures.

It is used to separate a mixture of (1) solid and a (2) .

Possible Answers: a soluble | an insoluble | gas | liquid

1	
----------	--

2	
----------	--

Question 10: True/False

2 marks

Filtration is a method used to separate a mixture of an insoluble solid and a liquid.

TRUE

FALSE

Total: 35 Marks