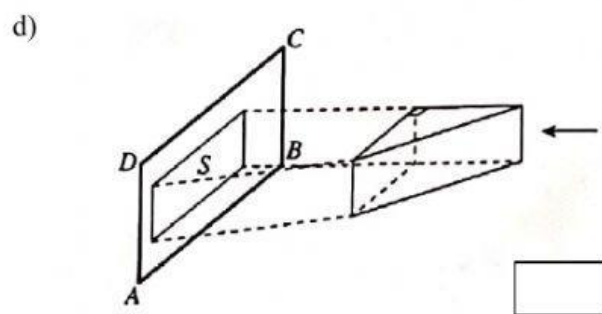
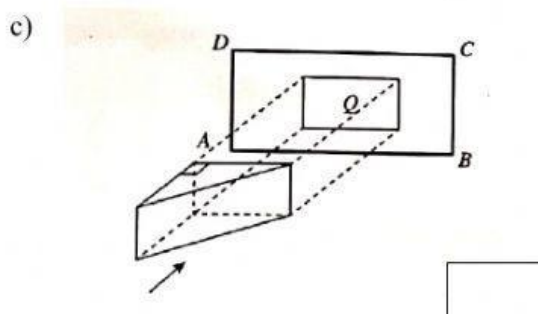
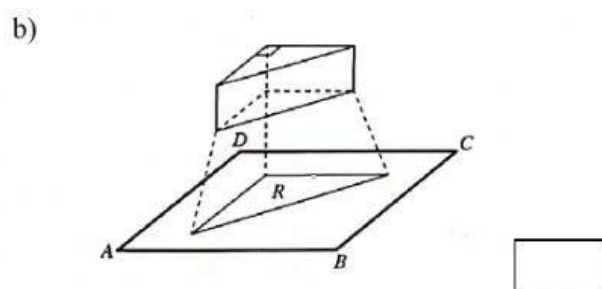
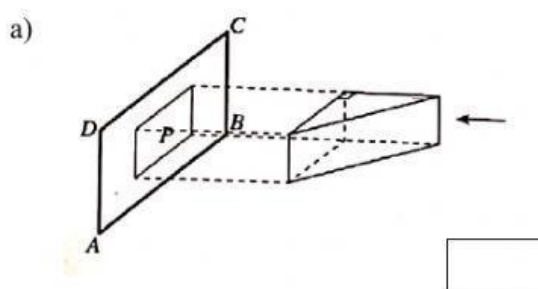


NAME : _____

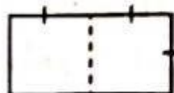
CLASS : _____

SECTION B

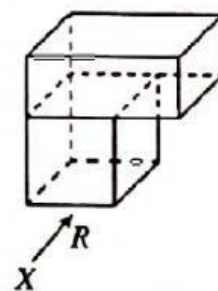
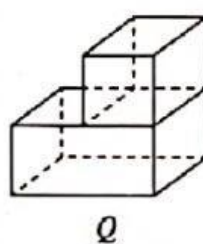
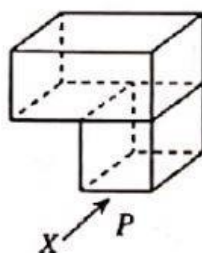
1. The diagram shows the object and its projection on a plane. Write (T) for the correct orthogonal projection and (F) for the false orthogonal projection.



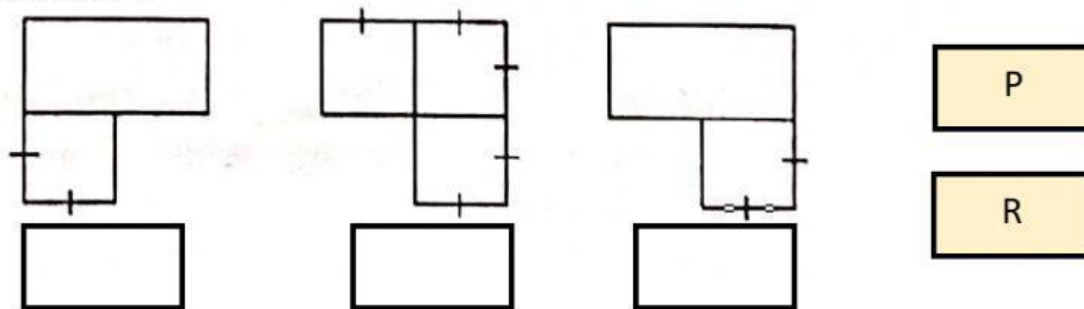
2. The diagram shows the plan of a composite solid consists of a cube and a cuboid.



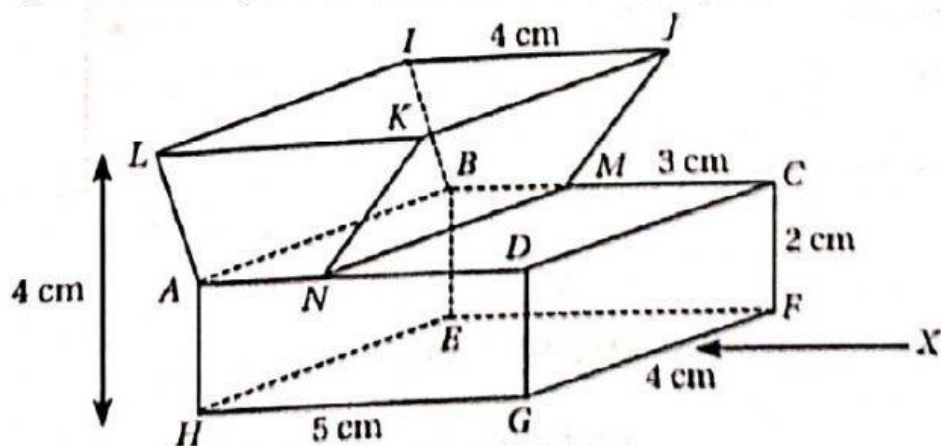
- a) Circle the possible composite solid.



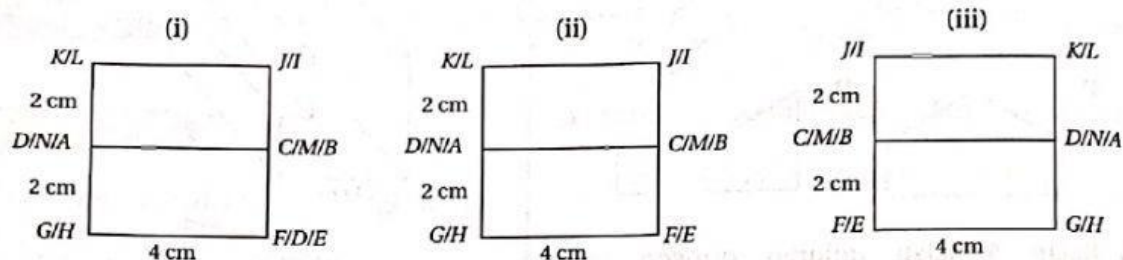
- b) Drop the correct orthogonal projection of composite solid P and R on the vertical plane as viewed from X.



3. a) Diagram shows a composite solid attached on the horizontal plane ABMN.



Select for the correct orthogonal projection of the diagram as viewed from X.



TRUE	TRUE	TRUE
FALSE	FALSE	FALSE

b) Match the following plan drawings with their correct objects.

Pelan <i>Plan</i>	Objek <i>Object</i>
