




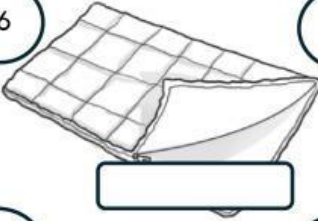



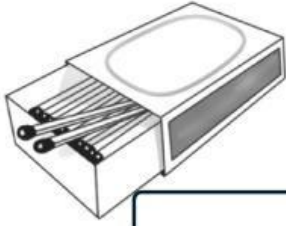


Homework (19)

2- Drag the words to the correct pictures:

Rope paintbrush calculator frying pan matches
Sleeping bag backpack tent flashlight lunchbox

1  []	2  []	3  []	4  []
5  []	6  []	7  []	
8  []	9  []	10  []	

3 Complete with *What did*, *Where did*, or *When did*.

- | | |
|---|-----------------|
| 1 <u>What</u> <u>did</u> you watch on TV last night, Steve? | A movie. |
| 2 _____ Patsy paint this picture? | Last month. |
| 3 _____ the Johnson family go on vacation? | France. |
| 4 _____ you all have for dinner? | Fish pie. |
| 5 _____ they visit their cousins? | Two months ago. |

4 Write.

- | | |
|---|-----------------------|
| 1 Did Chloe take her dictionary to school? | Yes, she <u>did</u> . |
| 2 Did Amy and Heidi play tennis yesterday? | No, they _____ . |
| 3 Did you like the movie, Joe? | Yes, I _____ . |
| 4 Did the Brown family have a picnic on Monday? | No, they _____ . |