

6. Tanya is  $m$  years old. Sandra is 6 times as old as Tanya.

(a) Write an expression in  $m$  to show Sandra's age.

Answer: \_\_\_\_\_ [1]

(b) The sum of their ages is 63.

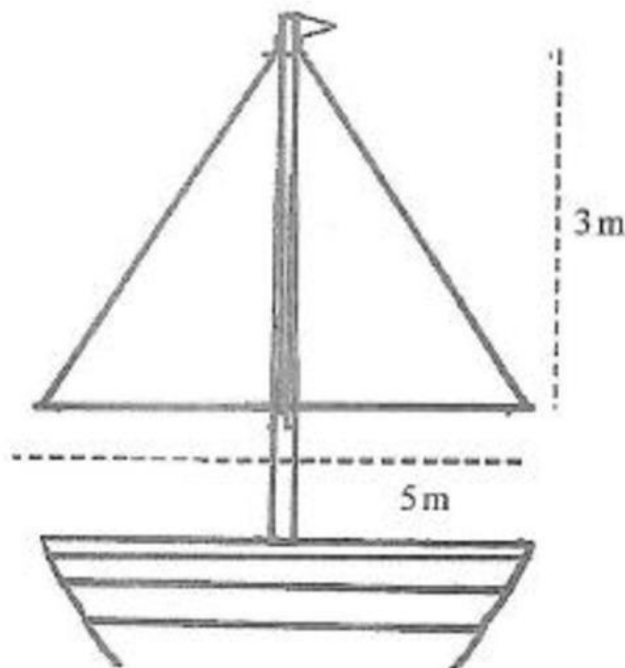
(i) Write an equation to show this information.

Answer: \_\_\_\_\_ [1]

(ii) Solve your equation to find Sandra's age.

Answer: \_\_\_\_\_ [2]

6.



NOT DRAWN TO SCALE

A boat has a triangular sail with base of 5 m and height of 3 m.

(a) Calculate the area of the sail.

Answer: \_\_\_\_\_ [2]

Material for the sail cost \$8.50 per square metre.

(b) Calculate the cost of the material used to make the sail.

Answer: \_\_\_\_\_ [2]

6.



Mr. Jones earns \$10.50 per hour for a basic 40 hour week.

- (a) Calculate his basic pay when he works 40 hours.

Answer: \_\_\_\_\_ [2]

If he works on Saturday, he is paid at a rate of time and a half.

- (b) How much is he paid for 1 hour of overtime?

Answer: \_\_\_\_\_ [2]

- (c) He worked 6 hours overtime on Saturday.

How much was his overtime pay?

Answer: \_\_\_\_\_ [2]

- (d) Calculate his total pay when he worked his basic hours plus 6 hours on Saturday.

Answer: \_\_\_\_\_ [2]

6. The original price of a bag is \$140.

A discount is given and the price drops to \$105.

- (i) Find the amount of the discount given.

Answer: \_\_\_\_\_ [1]

- (ii) Express the discount as a percentage of the original price.

### Percentage Computation

————— × —————

Answer: \_\_\_\_\_ [1]

6. In Mathematics class, Tory has the following results

60%, 75%, 65%, 85% and 75%.

(a) Write his

(i) median score,

Answer: \_\_\_\_\_ [2]

(ii) modal score.

Answer: \_\_\_\_\_ [1]

(b) Calculate his average score.

**Total Score =**

**Average Score =**

Answer: \_\_\_\_\_ [3]

6. It took 9 men 5 hours to paint a school.

If working at the same rate, calculate how long will it take

(a) 1 man,

Answer: \_\_\_\_\_ [2]

(b) 3 men.

Answer: \_\_\_\_\_ [2]