

SECTION 1:

QUESTIONS 1-4

You will hear two students talking about university clubs and societies. Complete the table. Write **NO MORE THAN TWO WORDS OR A NUMBER**.

Club	Membership fee	Number of members
(1)	£20	60
cross country cycling	£15	(2)
film and drama	£50	(3)
(4)	£5	80

QUESTIONS 5-7

Listen to the next part of the recording and answer the questions. Write **NO MORE THAN THREE WORDS**.

- a. contemporary dance
- b. yoga
- c. film and drama
- d. cycling
- e. photography
- f. running
- g. jazz and tap dancing

- 5
- 6
- 7

QUESTIONS 8-10

Listen to the last part of the recording and complete the form. Write no more than **TWO** words or a number.

Name: **(8)** Victoria

Age: 19

Address: **(9)** 57,, Atherton Park, Manchester, M46

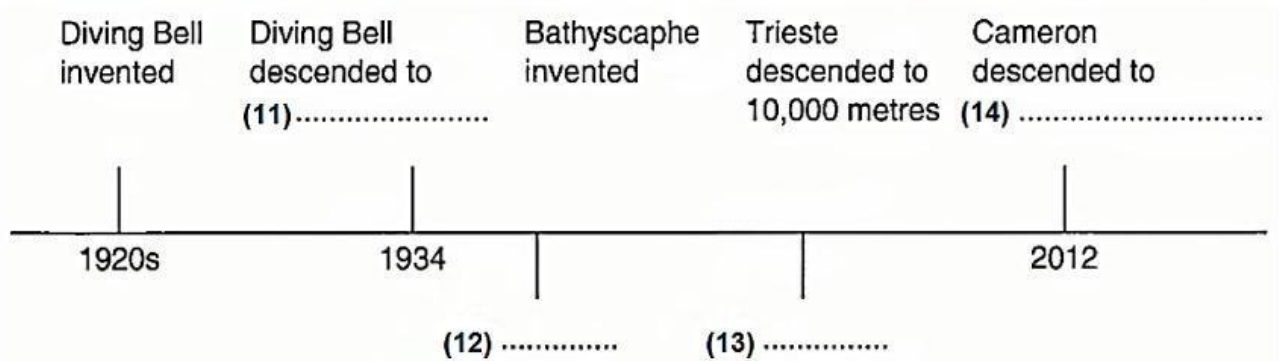
Contact number: **(10)**

Email: victoriainatherton@england.com

SECTION 2:

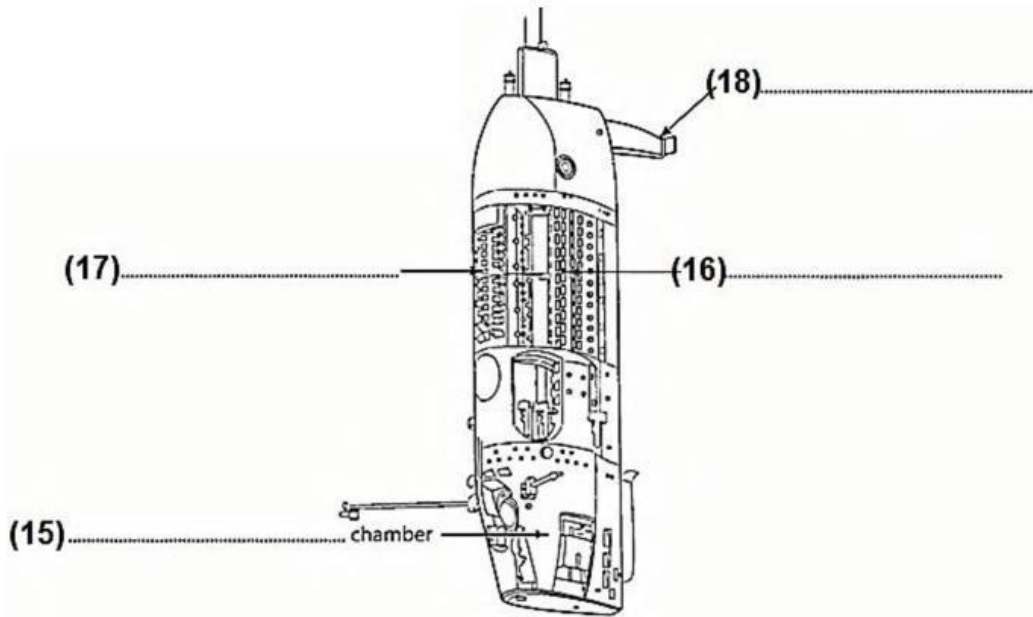
QUESTIONS 11-14

You will hear a recording of a lecture on deep sea exploration. Listen to the first part of the lecture and complete the time line using **NO MORE THAN TWO WORDS AND/ OR NUMBERS FROM THE RECORDING.**



QUESTIONS 15-18

Now you will hear the next part of the lecture. Label the diagram of the Deep Sea Challenger. **WRITE NO MORE THAN THREE WORDS.**



QUESTIONS 19-20

Now listen to the final part of the lecture and complete the notes. **WRITE NO THAN THREE WORDS OR A NUMBER.**

Justifications for deep sea research:

- a. Scientists understand more about the **(19)**
 - helps to predict earthquakes
- b. increased knowledge of availability of **(20)**
 - commercial benefits

SECTION 3:

QUESTIONS 21-25

You will hear a human resources manager talking about her company's work-life balance policy. Complete the sentences. Write NO MORE THAN TWO WORDS OR A NUMBER.

21 The company is concerned about the physical health of the workers.

22 It aims to give employees a chance to create a balance between their work and lives.

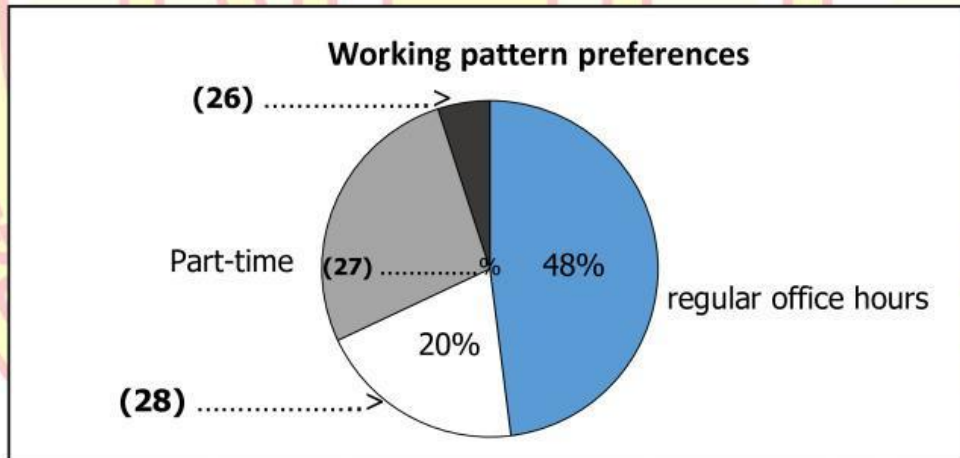
23 Some parents need to work hours so they can look after their children.

24 A lot of parents work part time and others work

25 Women who have had a baby can take off work before they come back to the office.

QUESTIONS 26-28

Listen to the next part of the recording and label the pie chart. Write NO MORE THAN THREE WORDS OR A NUMBER.



Sally has **(29)** She leaves them at nursery before 8.00 a.m.

Collects them from **(30)** house in the afternoon. Finishes her work at home.

Good luck!