


Area and Perimeter of Rectangles

Calculate the area and perimeter of each rectangle.

4cm




2cm

Perimeter = _____

Area = _____

5m

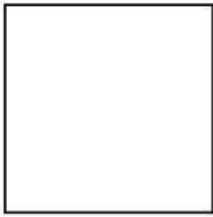


3m

Perimeter = _____

Area = _____

3cm




3cm

Perimeter = _____

Area = _____

7mm




1mm

Perimeter = _____

Area = _____

9cm




2cm

Perimeter = _____

Area = _____

7m

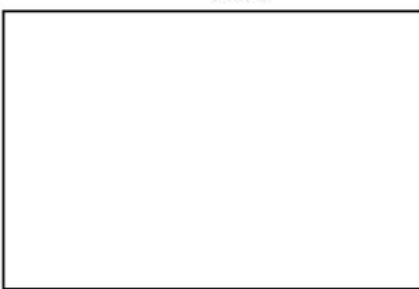


2m

Perimeter = _____

Area = _____

6cm

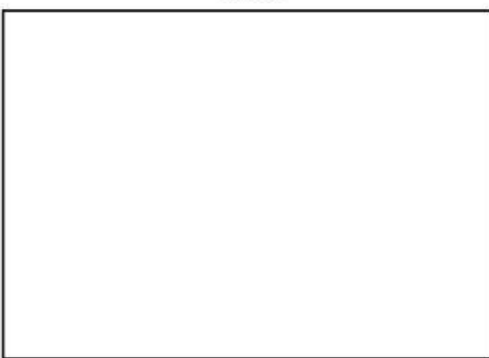


4cm

Perimeter = _____

Area = _____

7mm

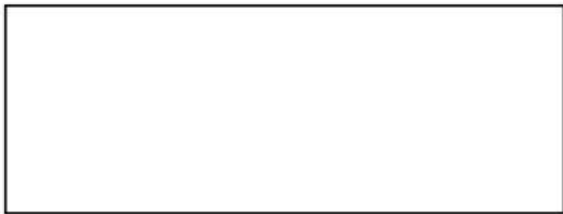


5mm

Perimeter = _____

Area = _____

8m



3m

Perimeter = _____


Area = _____



Area and Perimeter of Rectangles Answers

Calculate the area and perimeter of each rectangle.

4cm




2cm

Perimeter = 12cm

Area = 8cm²

5m

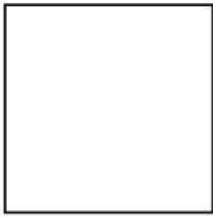


3m

Perimeter = 16m

Area = 15m²

3cm




3cm

Perimeter = 12cm

Area = 9cm²

7mm




1mm

Perimeter = 16mm

Area = 7mm²

9cm




2cm

Perimeter = 22cm

Area = 18cm²

7m

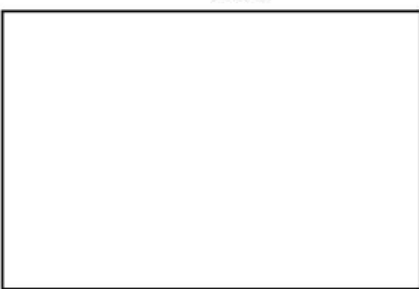


2m

Perimeter = 18m

Area = 14m²

6cm

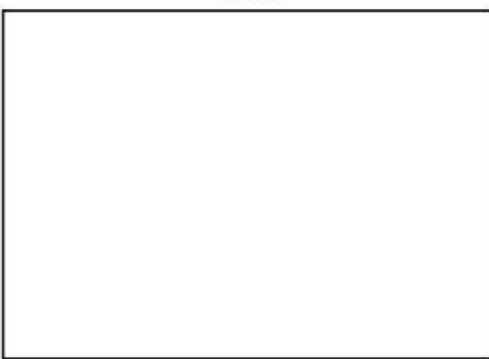


4cm

Perimeter = 20cm

Area = 24cm²

7mm




5mm

Perimeter = 24mm

Area = 35mm²

8m



3m

Perimeter = 22m

Area = 24m²