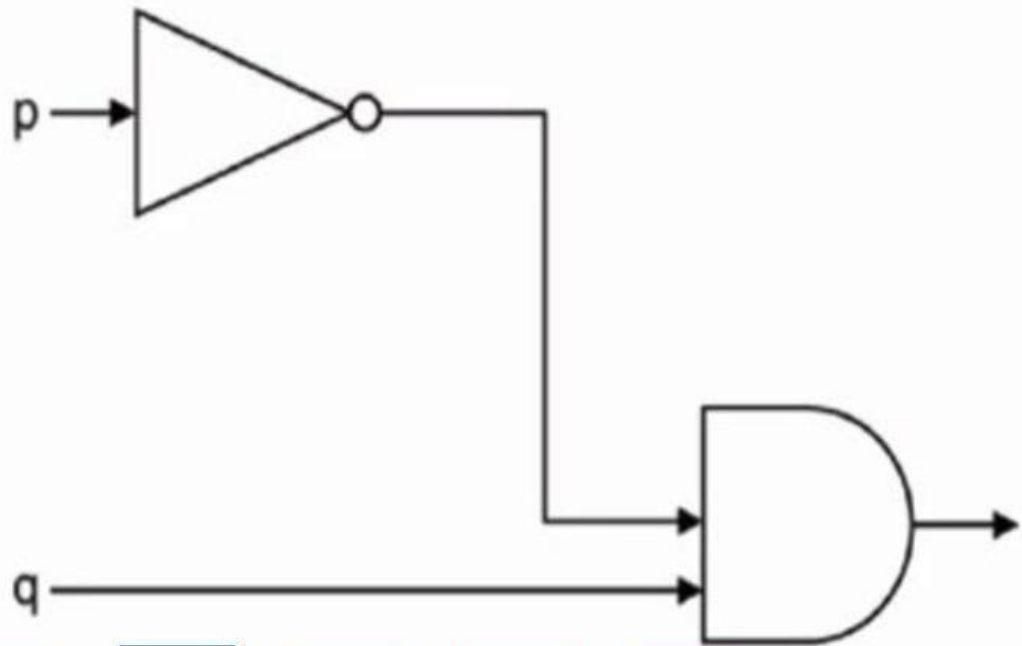


Question 1

Fill in the truth table for the Logic Gate shown.



0 0 0 1 1 1

p	q	Output
0	0	
0	1	
1	0	
1	1	