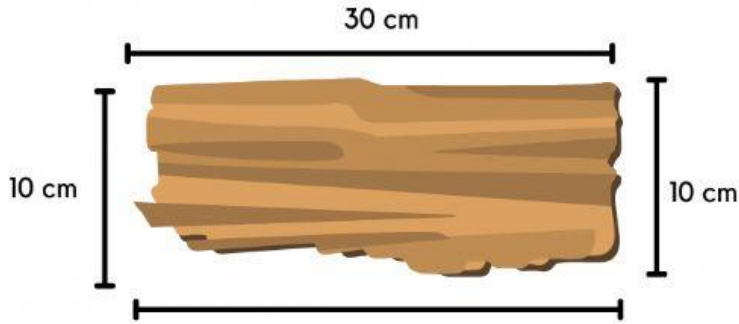
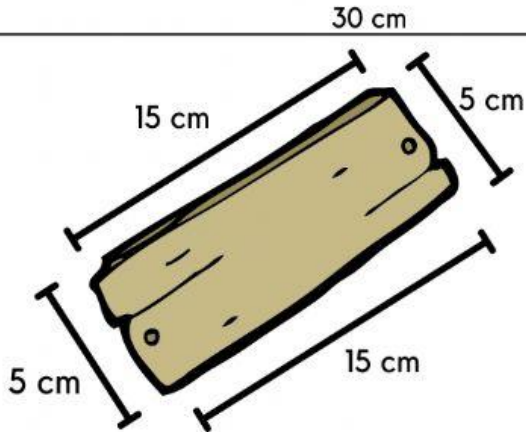


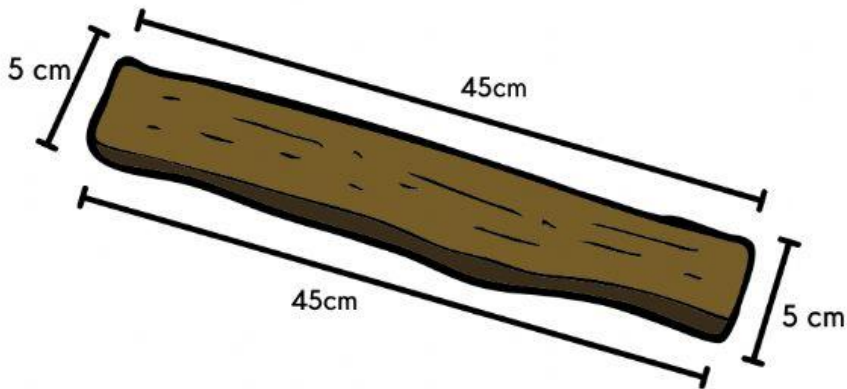
Let's measure the perimeter of the planks:



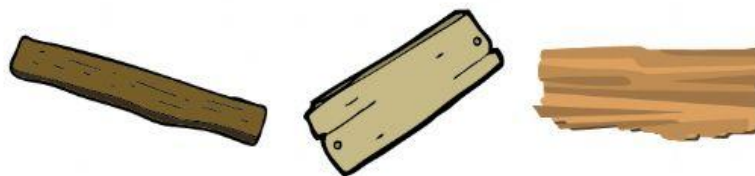
----- cm



----- cm



----- cm



Smallest perimeter



In the middle



Biggest Perimeter