

MATEMATIK TINGKATAN 2

MARKAH

BAB 5: BULATAN

Menentukan panjang
lengkuk dan luas sektor

Oleh Cikgu Naliza @SMKBKT

Lengkapkan kotak kosong berikut dengan nilai yang tepat. Seterusnya hitung panjang lengkok dan luas sektor bagi setiap rajah yang diberi.

BERIKAN
JAWAPAN ANDA
DALAM DUA
TITIK
PERPULUHAN



LUAS SEKTOR

$$\frac{\theta}{360^\circ} \times \text{LUAS BULATAN}$$

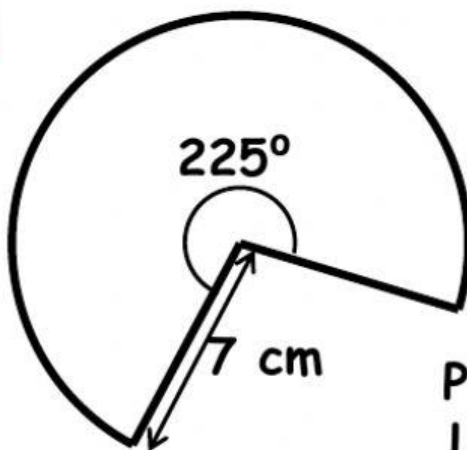
$$\frac{\theta}{360^\circ} \times \pi \times j^2$$

PANJANG LENGKOK

$$\frac{\theta}{360^\circ} \times \text{LILITAN BULATAN}$$

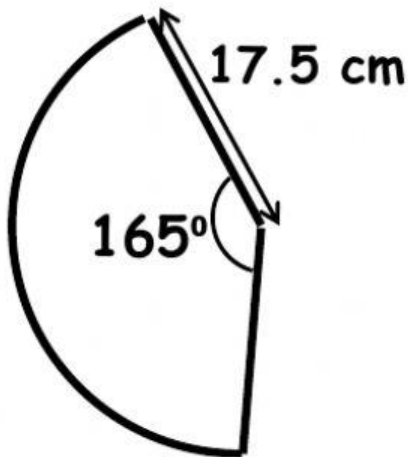
$$\frac{\theta}{360^\circ} \times 2 \times \pi \times j$$

1



$$\begin{aligned} \text{LUAS SEKTOR} &= \frac{\square^0}{360^\circ} \times \frac{22}{7} \times \square^2 \\ &= \square \text{ cm}^2 \end{aligned}$$

$$\begin{aligned} \text{PANJANG LENGKOK} &= \frac{\square^0}{360^\circ} \times 2 \times \frac{22}{7} \times \square \\ &= \square \text{ cm} \end{aligned}$$

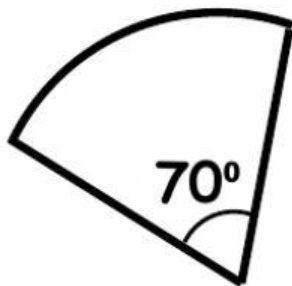
2

$$\begin{aligned} \text{LUAS SEKTOR} &= \frac{\square^0}{360^0} \times \frac{22}{7} \times \square^2 \\ &= \square \text{ cm}^2 \end{aligned}$$

$$\begin{aligned} \text{PANJANG LENGKOK} &= \frac{\square^0}{360^0} \times 2 \times \frac{22}{7} \times \square \\ &= \square \text{ cm} \end{aligned}$$

3

Sebahagian daripada bulatan dengan diameter 30 cm

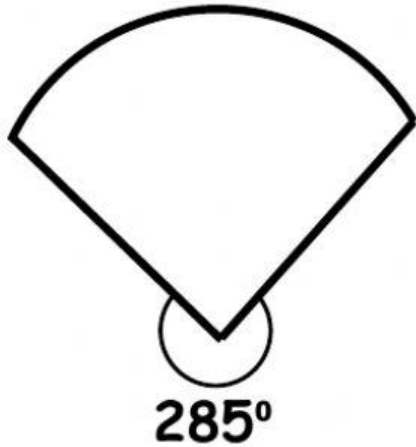


$$\begin{aligned} \text{LUAS SEKTOR} &= \frac{\square^0}{360^0} \times \frac{22}{7} \times \square^2 \\ &= \square \text{ cm}^2 \end{aligned}$$

$$\begin{aligned} \text{PANJANG LENGKOK} &= \frac{\square^0}{360^0} \times 2 \times \frac{22}{7} \times \square \\ &= \square \text{ cm} \end{aligned}$$

4

Sebahagian daripada bulatan
dengan diameter 28 cm

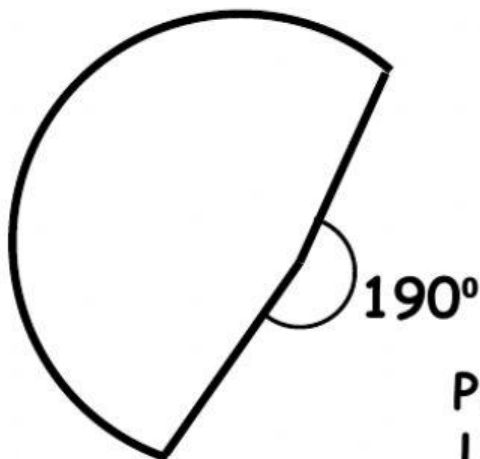


$$\begin{aligned} \text{LUAS SEKTOR} &= \frac{\square^0}{360^0} \times \frac{22}{7} \times \square^2 \\ &= \square \text{ cm}^2 \end{aligned}$$

$$\begin{aligned} \text{PANJANG LENGKOK} &= \frac{\square^0}{360^0} \times 2 \times \frac{22}{7} \times \square \\ &= \square \text{ cm} \end{aligned}$$

5

Sebahagian daripada bulatan
dengan jejari 15 cm

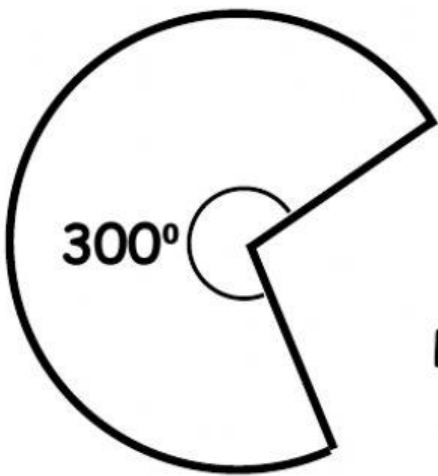


$$\begin{aligned} \text{LUAS SEKTOR} &= \frac{\square^0}{360^0} \times \frac{22}{7} \times \square^2 \\ &= \square \text{ cm}^2 \end{aligned}$$

$$\begin{aligned} \text{PANJANG LENGKOK} &= \frac{\square^0}{360^0} \times 2 \times \frac{22}{7} \times \square \\ &= \square \text{ cm} \end{aligned}$$

6

Sebahagian daripada bulatan
dengan diameter 40 cm



$$\text{LUAS SEKTOR} = \frac{\square^\circ}{360^\circ} \times \square \text{ cm}^2$$

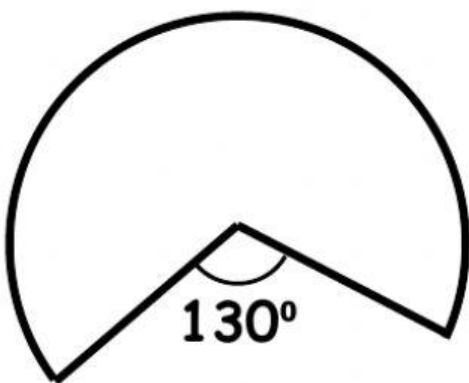
$$= \square \text{ cm}^2$$

$$\text{PANJANG LENGKOK} = \frac{\square^\circ}{360^\circ} \times \square \text{ cm}$$

$$= \square \text{ cm}$$

7

Sebahagian daripada bulatan
dengan jejari 14.7 cm



$$\text{LUAS SEKTOR} = \frac{\square^\circ}{360^\circ} \times \square \text{ cm}^2$$

$$= \square \text{ cm}^2$$

$$\text{PANJANG LENGKOK} = \frac{\square^\circ}{360^\circ} \times \square \text{ cm}$$

$$= \square \text{ cm}$$