

SUBJECT: MATHEMATICS	GRADE:	G	T	1	2	3	4	5	DATE:
		6	7	8	9	10	11		
STUDENT:		TEACHER: KAREN NEWBALL – DANIEL PEÑA							

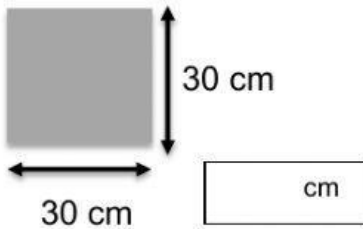
Measure

- Measure and calculate the perimeter of regular polygons

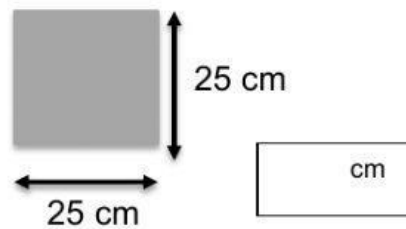
Challenge 1

1. Find the perimeter of the square patches of grass and large fields.

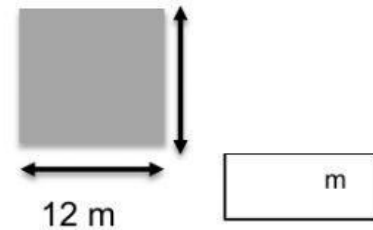
a.



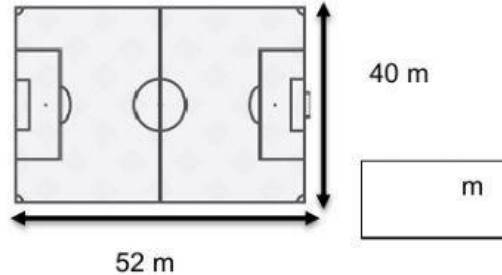
b.



c.



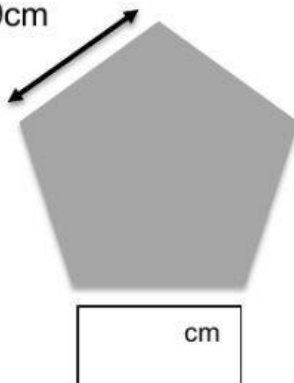
d.



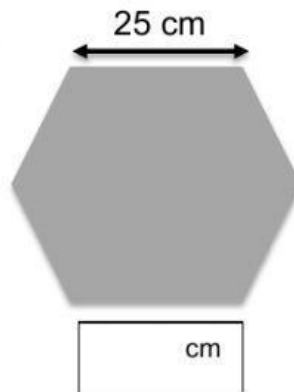
Note: Shapes are not drawn to scale

2. Find the perimeter of each regular polygon.

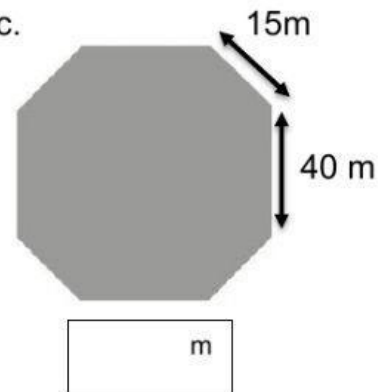
a. 9cm



b.



c.

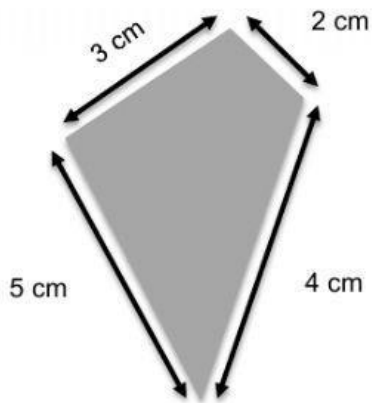


Measure

- Measure and calculate the perimeter of irregular polygons

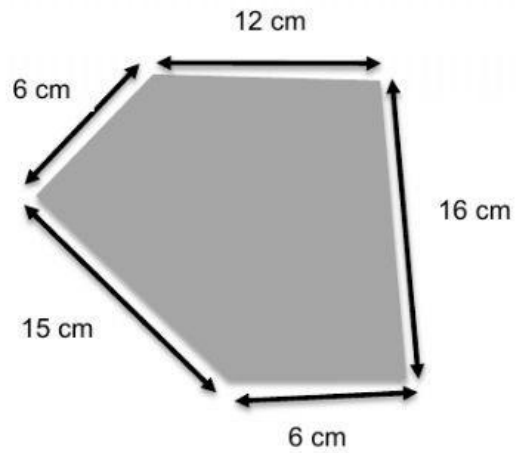
3. Find the perimeter of each irregular polygon.

a.



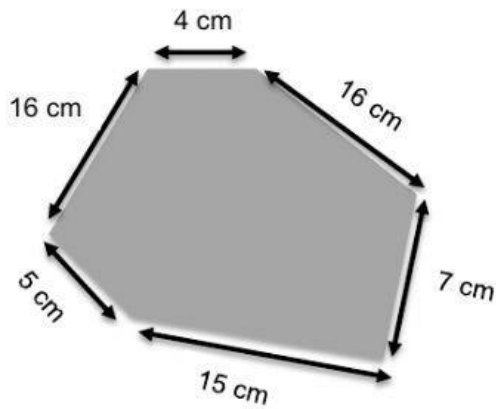
Perimeter = cm

b.



Perimeter = cm

c.

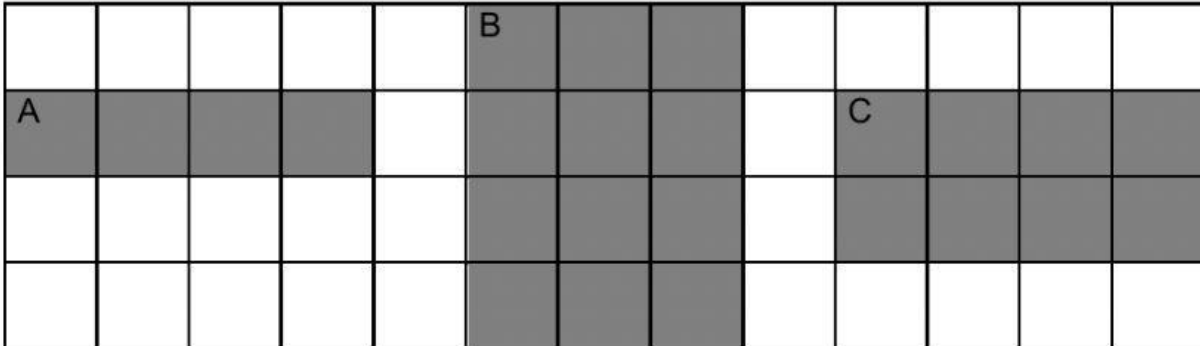


Perimeter = cm

Measure

- Understand that area is measured in square units, e.g. square centimeters
- Know that the area of a rectangle can be calculated by multiplying the number of squares in a row by the number of columns

4. Find the area of each rectangle by counting the squares. Each square is 1 cm by 1 cm.

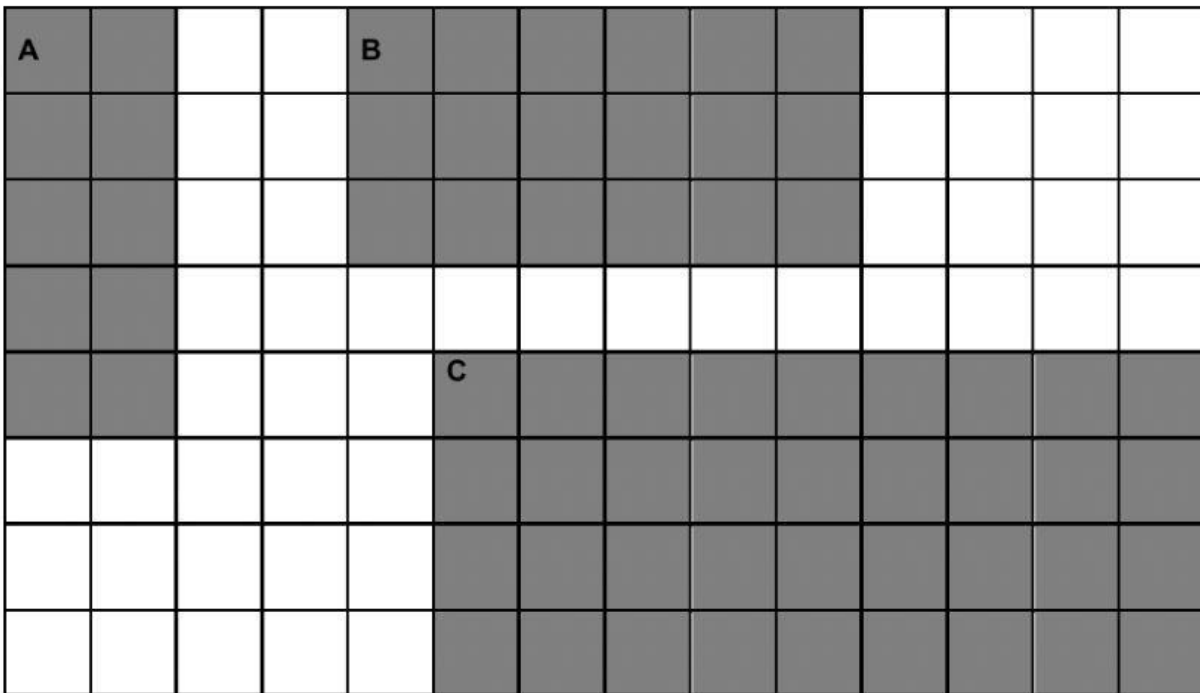


Area = cm^2

Area = cm^2

Area = cm^2

5. Calculate the area of each rectangle. Each grid square is 1cm by 1 cm.



A= cm^2

B= cm^2

C= cm^2